

Product Brochure For M544

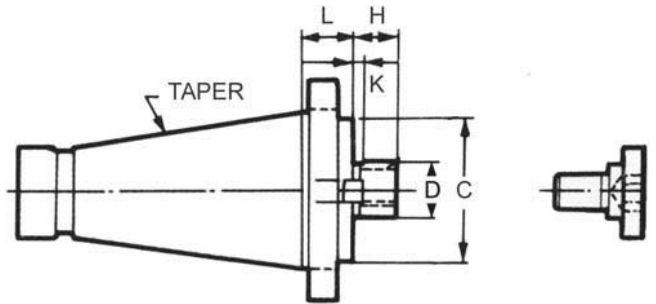
Face Mill Arbor - NT30 - FMB32-20

On Sale

Ex GST	Inc GST
\$75.00	\$82.50
\$62.73	\$69.00



ORDER CODE:	M544
MODEL:	NT30 - FMB32-20
Draw Bar (mm / inch):	12mm
D (mm):	32
H (mm):	25
K (mm):	7
C (mm):	64
L (mm):	20
Nett Weight (kg):	1.20



Features

- Material: SCM-21
- Hardness: HRC 50° - 55°
- Squareness of mounting surface: Less than 0.0002" (0.005mm)
- Deflection in shaft and taper: Less than 0.0002" (0.005mm)

Product Brochure For M544

Recommended Accessories

M513

Face Mill 90° - Positive Rake

M518

Face Mill 45° - Super High-Rake

