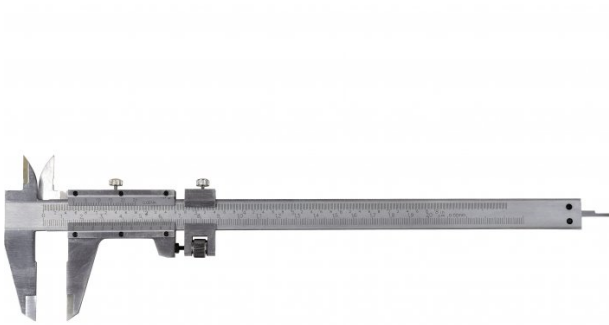


Product Brochure For M725

Vernier Caliper

200mm / 8"
 Fine Adjuster



On Sale

Ex GST
~~\$35.00~~
\$29.09

Inc GST
~~\$38.50~~
\$32.00

| | |
|-------------------|-----------------|
| ORDER CODE: | M725 |
| Range: | 200mm / 8" |
| Graduations: | 0.02mm / 0.001" |
| Accuracy (mm): | ±0.03 |
| A (mm): | 50 |
| B (mm): | 24 |
| C (mm): | 18 |
| D (mm): | 16 |
| L (mm): | 305 |
| 4 Way (Yes / No): | Yes |

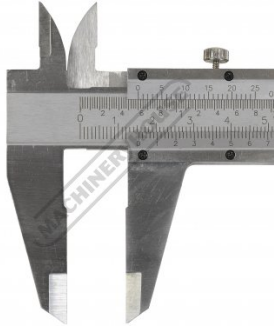


Features

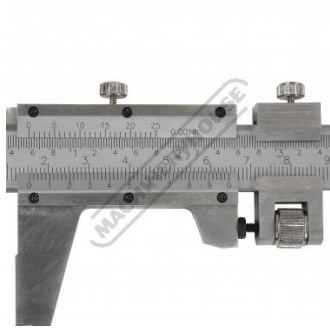
- Manufactured from stainless steel
- Measuring faces are ground and lapped
- Graduations are clear and easy to read
- Both metric and imperial graduations
- 4-way measuring
- Fine Adjustment
- All models have a position lock

Product Brochure For M725

Specific Features



Internal-External Measuring Jaws



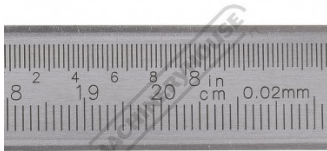
Vernier Head Lock Screw & Fine Adjustments



Height Measuring Slide



Depth Measuring Blade



Metric-Imperial Scale