

Product Brochure For N013

Rivet Nut Inserts - M3 x 0.5mm

Aluminium
 Qty 50 In Pack

On Sale

Ex GST

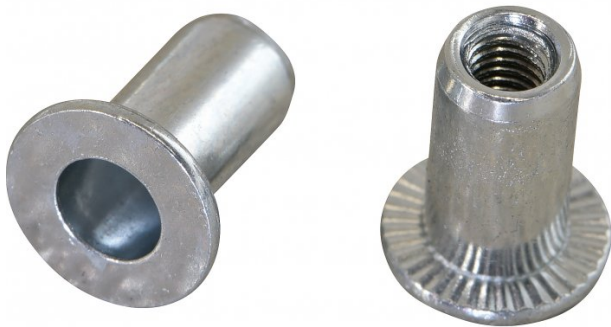
~~\$9.00~~

\$7.27

Inc GST

~~\$9.90~~

\$8.00



ORDER CODE:	N013
MODEL:	~
Type:	Rivet Nut Inserts
Nut Insert Material (Type):	Aluminium
Quantity in Pack:	50
Rivet Nut Inserts Range (Metric):	~
Blind Rivets (mm):	~
Thread Size (T) (Metric):	M3 x 0.5
Thread Length (TL) (Metric):	~
Length (L) (mm):	9.25
Head Height (HH) (mm):	0.75
Head Diameter (HD) (mm):	8
Diameter (D) (mm):	4.9
Hole Size (HS) (mm):	5
Grip Range (GR) (mm):	0.25 - 2.00
Torque to Turn (Kgf.cm):	20



Description

Suits ATR-10RN Air Operated or RNB40 Twin Handle Nut Riveters

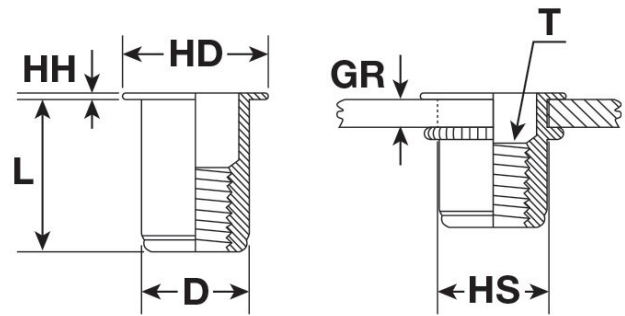
Features

- Aluminium inserts
- Fast & easy installation from one side
- Adds a threaded nut to thin sheet metal
- Knurled section under nut head for anti-rotation
- Easy to install
- ** NOTE: When used with RNB40 Nut Riveter, the M3 Nut Rivet Mandrel and Adaptor is required, sold separately (Order Code: N0021)

Includes

- 50 x Rivet Nut Inserts - M3 x 0.5mm

NUT INSERT



UNINSTALLED

INSTALLED

Product Brochure For N013

Specific Features



Packaging Front



Packaging Back

Recommended Accessories

N001
 Nut & Blind Riveter Set - 130
 Piece



N0021
 NUT RIVET MANDREL &
 ADAPTOR



N006
 Rivet Nut Inserts - M6 x 1.0mm



N008
 Rivet Nut Inserts - M8 x 1.25mm



N010
 Rivet Nut Inserts - M10 x 1.5mm



N015
 Rivet Nut Inserts - M5 x 0.8mm



N016
 Rivet Nut Inserts - M6 x 1.0mm



N018
 Rivet Nut Inserts - M8 x 1.25mm



Product Brochure For N013

N020

Rivet Nut Inserts - M10 x 1.5mm

