

Product Brochure For N014

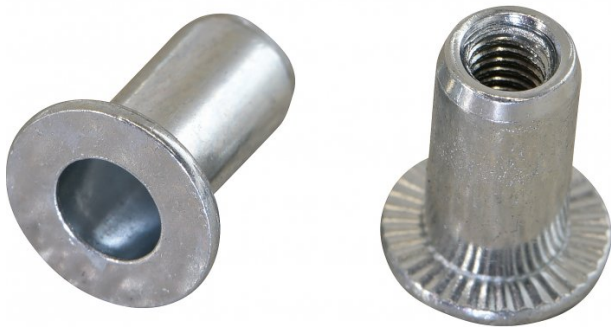
## Rivet Nut Inserts - M4 x 0.7mm

Aluminium  
 Qty 50 In Pack

**On Sale**

Ex GST  
~~\$9.00~~  
**\$7.27**

Inc GST  
~~\$9.90~~  
**\$8.00**



ORDER CODE:	N014
MODEL:	~
Type:	Rivet Nut Inserts
Nut Insert Material (Type):	Aluminium
Quantity in Pack:	50
Rivet Nut Inserts Range (Metric):	~
Blind Rivets (mm):	~
Thread Size (T) (Metric):	M4 x 0.7
Thread Length (TL) (Metric):	~
Length (L) (mm):	10.5
Head Height (HH) (mm):	0.9
Head Diameter (HD) (mm):	9
Diameter (D) (mm):	5.9
Hole Size (HS) (mm):	6
Grip Range (GR) (mm):	0.25 - 2.50
Torque to Turn (Kgf.cm):	40



### Description

Suits ATR-10RN Air Operated or RNB40 Twin Handle Nut Riveters

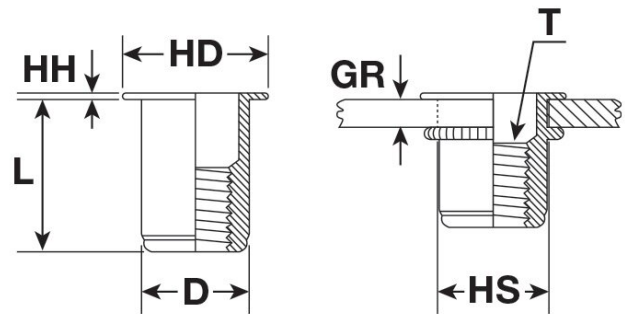
### Features

- Aluminium inserts
- Fast & easy installation from one side
- Adds a threaded nut to thin sheet metal
- Knurled section under nut head for anti-rotation
- Easy to install
- \*\* NOTE: When used with RNB40 Nut Riveter, the M4 Nut Rivet Mandrel and Adaptor is required, sold separately (Order Code: N0022)

### Includes

- 50 x Rivet Nut Inserts - M4 x 0.7mm

## NUT INSERT



UNINSTALLED

INSTALLED

Product Brochure For N014

Specific Features



Packaging Front



Packaging Back

Recommended Accessories

N001  
 Nut & Blind Riveter Set - 130  
 Piece



N0022  
 NUT RIVET MANDREL &  
 ADAPTOR



N006  
 Rivet Nut Inserts - M6 x 1.0mm



N008  
 Rivet Nut Inserts - M8 x 1.25mm



N010  
 Rivet Nut Inserts - M10 x 1.5mm



N015  
 Rivet Nut Inserts - M5 x 0.8mm



N016  
 Rivet Nut Inserts - M6 x 1.0mm



N018  
 Rivet Nut Inserts - M8 x 1.25mm



Product Brochure For N014

---

N020

Rivet Nut Inserts - M10 x 1.5mm

