

Product Brochure For N024

## Rivet Stud Inserts - M4 x 0.7mm

Steel - Zinc Plated  
 Qty 50 In Pack



**On Sale**

Ex GST  
~~\$30.00~~  
**\$27.27**

Inc GST  
~~\$33.00~~  
**\$30.00**

ORDER CODE:	N024
MODEL:	~
Type:	Rivet Stud Inserts
Nut Insert Material (Type):	Steel - Zinc Coated
Quantity in Pack:	50
Rivet Nut Inserts Range (Metric):	~
Blind Rivets (mm):	~
Thread Size (T) (Metric):	M4 x 0.5
Thread Length (TL) (Metric):	15
Length (L) (mm):	10.5
Head Height (HH) (mm):	0.75
Head Diameter (HD) (mm):	9
Diameter (D) (mm):	5.8
Hole Size (HS) (mm):	6
Grip Range (GR) (mm):	0.25 - 2.50
Torque to Turn (Kgf.cm):	55



### Description

Suits RNB40 Twin Handle Nut Riveter

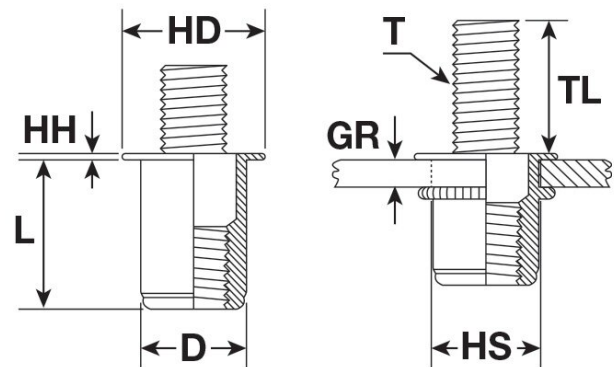
### Features

- Steel - Zinc Coated
- Fast & easy installation from one side
- Adds a threaded stud to thin sheet metal
- Knurled section of the body for anti-rotation
- \*\* Easy to install with the RNB40 Nut Riveter
- \*\* NOTE: Requires M4 Stud Rivet Mandrel and Adaptor, sold separately (Order Code: N022)

### Includes

- 50 x Rivet Stud Insert - M4 x 0.7mm
- 15mm thread length

## STUD INSERT

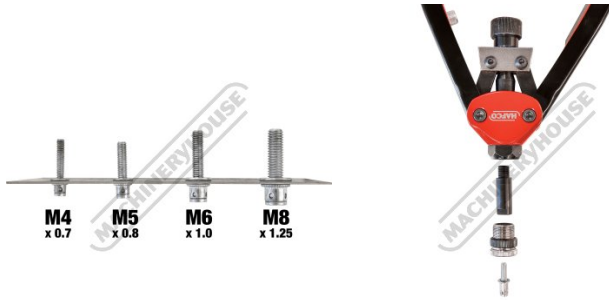


**UNINSTALLED**

**INSTALLED**

Product Brochure For N024

Specific Features



Stud Range N024 28

Shown with Optional Rivet Stud Insert N024 and Riveter Set N001

Recommended Accessories

N001

Nut & Blind Riveter Set - 130 Piece



N022

Rivet Stud Mandrel & Adaptor - M4



N025

Rivet Stud Inserts - M5 x 0.8mm



N026

Rivet Stud Inserts - M6 x 1.0mm



N028

Rivet Stud Inserts - M8 x 1.25mm



N023

Rivet Stud Mandrels - M5, M6, M8

