

Product Brochure For N025

## Rivet Stud Inserts - M5 x 0.8mm

Steel - Zinc Plated  
 Qty 50 In Pack



**On Sale**

Ex GST  
~~\$32.00~~  
**\$29.09**

Inc GST  
~~\$35.20~~  
**\$32.00**

ORDER CODE:	N025
MODEL:	~
Type:	Rivet Stud Inserts
Nut Insert Material (Type):	Steel - Zinc Coated
Quantity in Pack:	50
Rivet Nut Inserts Range (Metric):	~
Blind Rivets (mm):	~
Thread Size (T) (Metric):	M5 x 0.8
Thread Length (TL) (Metric):	15
Length (L) (mm):	11.8
Head Height (HH) (mm):	1.0
Head Diameter (HD) (mm):	9.95
Diameter (D) (mm):	6.9
Hole Size (HS) (mm):	7
Grip Range (GR) (mm):	0.25 - 2.50
Torque to Turn (Kgf.cm):	80



### Description

Suits RNB40 Twin Handle Nut Riveter

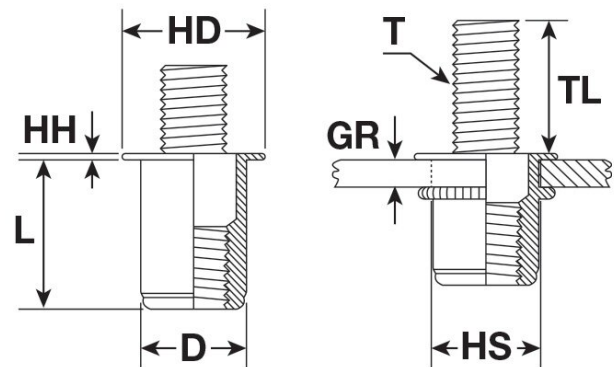
### Features

- Steel - Zinc Coated
- Fast & easy installation from one side
- Adds a threaded stud to thin sheet metal
- Knurled section of the body for anti-rotation
- \*\* Easy to install with the RNB40 Nut Riveter
- \*\* NOTE: Requires M5 Stud Rivet Mandrel, sold separately (Order Code: N023)

### Includes

- 50 x Rivet Stud Insert - M5 x 0.8mm
- 15mm thread length

## STUD INSERT

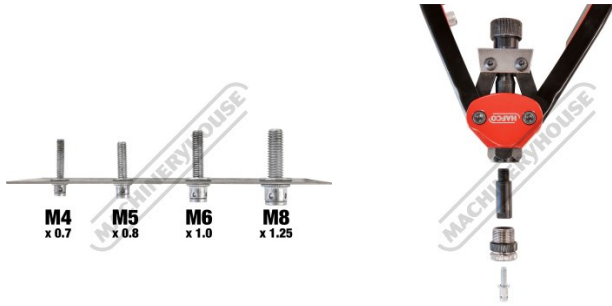


**UNINSTALLED**

**INSTALLED**

Product Brochure For N025

Specific Features



Stud Range N024 28

Shown with Optional Mandrel Adaptors N023 and Riveter Set N001

Recommended Accessories

N001

Nut & Blind Riveter Set - 130 Piece



N023

Rivet Stud Mandrels - M5, M6, M8



N026

Rivet Stud Inserts - M6 x 1.0mm



N028

Rivet Stud Inserts - M8 x 1.25mm



N024

Rivet Stud Inserts - M4 x 0.7mm



N022

Rivet Stud Mandrel & Adaptor - M4

