

Product Brochure For P230

Coolant Pump - CP-60L3

1/4hp, 415V Motor

180mm Submersible Leg & 70 Litres/Min. At 1 Metre Lift



On Sale

Ex GST

\$360.00

\$317.27

Inc GST

\$396.00

\$349.00

ORDER CODE:	P230
MODEL:	CP-60L3
Type:	Coolant Pump
Tank Capacity (Litre):	~
Discharge at 1 metre Lift (L/min):	70
Length (L) (mm):	360
Submerge Depth (L1) (mm):	180
4 Mount Holes (PCD) (mm):	158
Threaded Outlet (BSPT):	Ø1/2"
A (mm):	160
B (mm):	~
C (mm):	339
D (mm):	174
E (mm):	160
F (mm):	120
G (mm):	189
H:	1/2" PT
I (mm):	158
J (mm):	8
K (mm):	~
Motor Power (hp):	1/4
Voltage / Amperage (V / amp):	415
Dimensions (L x W x H) (mm):	370 x 200 x 210
Nett Weight (kg):	11.5



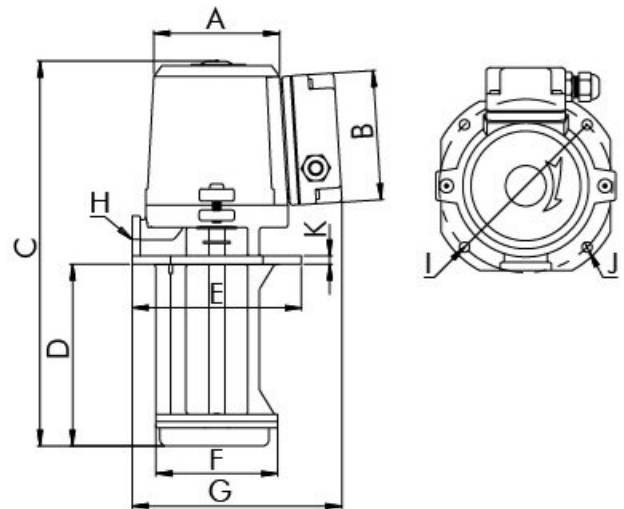
Description

Manufactured in Taiwan

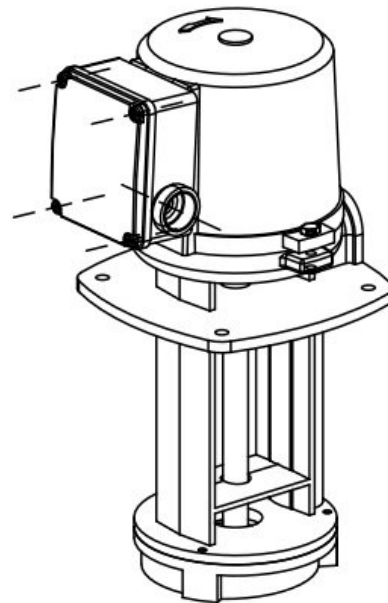
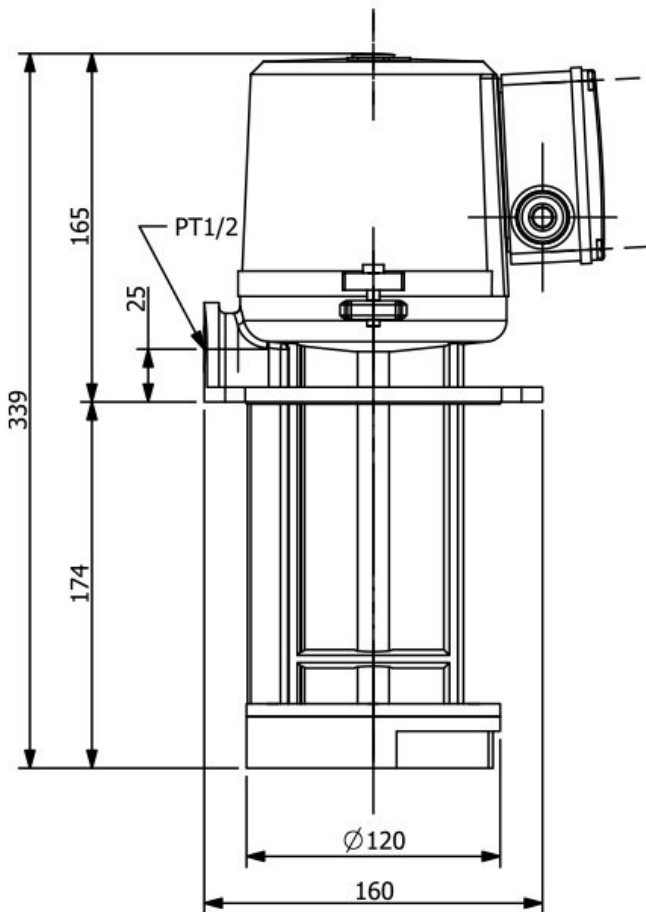
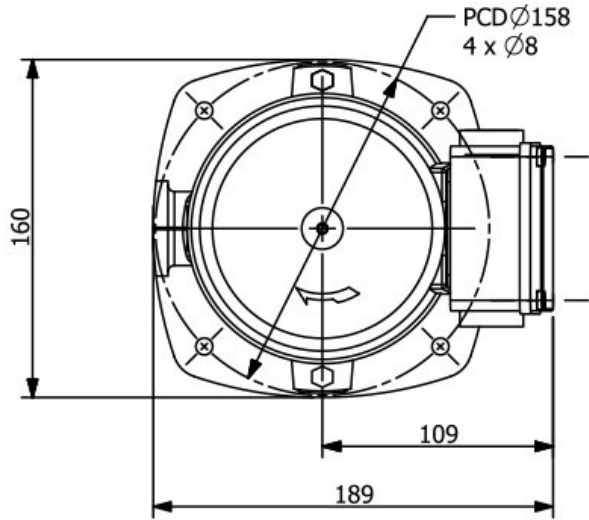
180mm Leg COOLANT PUMP BARE - 415V
 Bare pump for almost any application

Features

- 70 litres/min. at 1 metre lift
- 180mm submersible leg
- High-tensile cast iron housing
- Non-corrosive plastic impellers
- Please Note: Motor housing should never be submersed or have any fluid splashed on it



Product Brochure For P230



Product Brochure For P230

Specific Features



Front View



Left Side View



Rear View



Right Side View

Recommended Accessories

S090A

Soluble Metal Cutting Fluid - 1 Litre



S090

Soluble Metal Cutting Fluid - 5 Litre



S076

Cutting Tool Lubricant Fluid - 500ml



S077

Drilling, Tapping & Cutting Tool Lubricant Spray - 400g



S075

Cutting Tool Lubricant Paste - 200g



S074

Cutting Tool Lubricant Paste - 500g



S091

Soluble Metal Cutting Fluid - 20 Litre



O000

SpillFix Universal Organic Absorbent



Product Brochure For P230

H164
Flexible Coolant Hose



H166
Flexible Coolant Hose



H170
Flexible Coolant Hose



P235
Coolant Pump & Tank



O200
Oil Skimmer - Tube Type

