

Product Brochure For P232

## Coolant Pump - CP-20L1

1/8hp, 240V Motor  
 135mm Submersible Leg & 20 Litres/Min. At 1 Metre Lift



**On Sale**

<b>Ex GST</b>	<b>Inc GST</b>
<del>\$180.00</del>	<del>\$198.00</del>
<b>\$160.00</b>	<b>\$176.00</b>

ORDER CODE:	P232
MODEL:	CP-20L1
Type:	Coolant Pump
Tank Capacity (Litre):	~
Discharge at 1 metre Lift (L/min):	20
Length (L) (mm):	290
Submerge Depth (L1) (mm):	134
4 Mount Holes (PCD) (mm):	128
Threaded Outlet (BSPT):	Ø3/8"
A (mm):	96
B (mm):	95
C (mm):	290
D (mm):	134
E (mm):	121
F (mm):	90
G (mm):	156
H:	3/8" PT
I (mm):	128
J (mm):	8
K (mm):	6
Motor Power (hp):	1/8
Voltage / Amperage (V / amp):	240 / 10
Dimensions (L x W x H) (mm):	300 x 150 x 210
Nett Weight (kg):	6.1

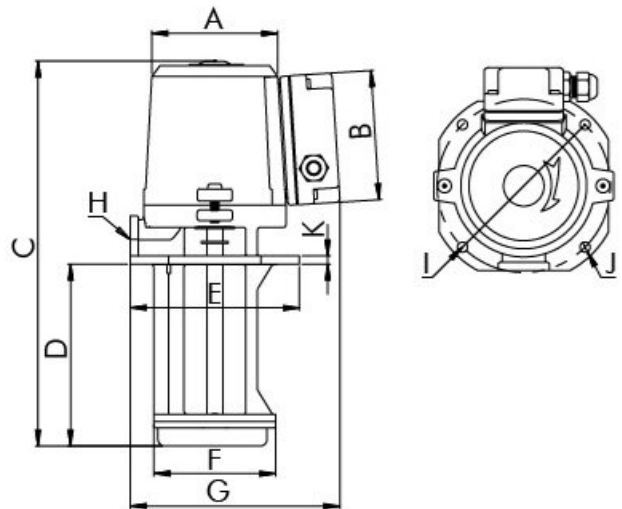
### Description

Manufactured in Taiwan

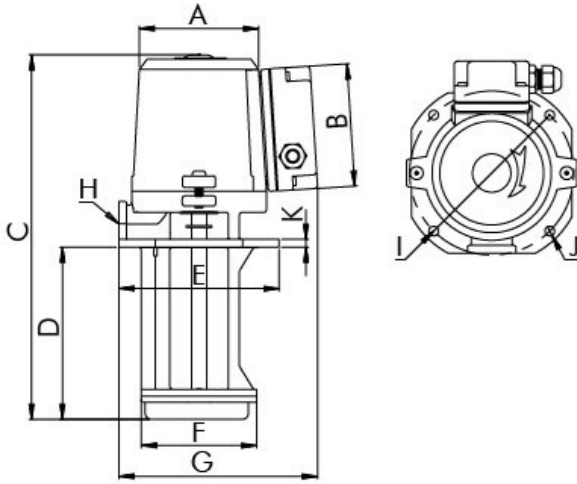
135mm Leg COOLANT PUMP BARE - 240V  
 Bare pump for almost any application

### Features

- 20 litres/min. at 1 metre lift
- 135mm submersible leg
- Non-corrosive plastic impellers
- Please Note: Motor housing should never be submersed or have any fluid splashed on it



Product Brochure For P232



**Specific Features**



Rear View



Front View



Name Plate



Left Side View



Right Side View



Top View



Bottom View



Top Rear View

Product Brochure For P232



Bottom Low View

Recommended Accessories

S090A  
 Soluble Metal Cutting Fluid - 1  
 Litre



S090  
 Soluble Metal Cutting Fluid - 5  
 Litre



S076  
 Cutting Tool Lubricant Fluid -  
 500ml



S077  
 Drilling, Tapping & Cutting Tool  
 Lubricant Spray - 400g



S075  
 Cutting Tool Lubricant Paste -  
 200g



S074  
 Cutting Tool Lubricant Paste -  
 500g



S091  
 Soluble Metal Cutting Fluid - 20  
 Litre



O000  
 SpillFix Universal Organic  
 Absorbent



Product Brochure For P232

H164  
Flexible Coolant Hose



H166  
Flexible Coolant Hose



H170  
Flexible Coolant Hose



P235  
Coolant Pump & Tank



O200  
Oil Skimmer - Tube Type

