

Product Brochure For P6025

## 10 x 20mm Slotted Punch

Hi -Grade Tool Steel Imported From Japan  
 Ø30mm Locating Diameter

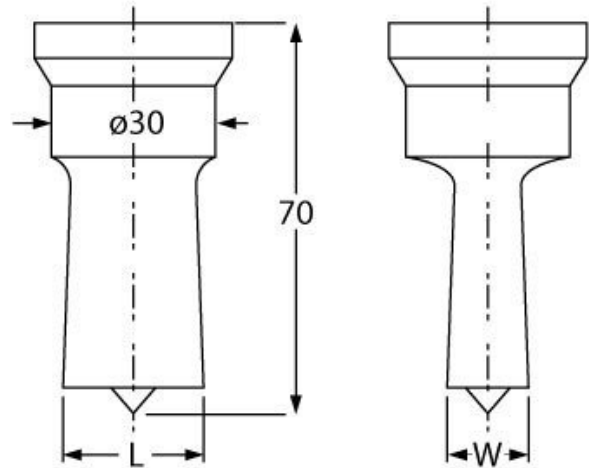


**Back In Stock Soon**

Ex GST  
**\$120.00**

Inc GST  
**\$132.00**

ORDER CODE:	P6025
Shape - Type:	Slotted Punch - 0P1
Square or Slot Hole Size (W x L) (mm):	10 x 20
Punch Locating Diameter x Length (mm):	Ø30 x 70mm
Die Outside Body Diameter x Height (mm):	~



### Description

Punch and Dies are Manufactured by Sunrise in Taiwan using Hi -Grade Tool Steel imported from Japan. The manufacturing process involves machining via hi tech CNC machines lathes & mills, vacuum heat treatment with multiple tempering at high temperatures before a final quality inspection/testing process all of which ensures an accurate, precise, durable & stable product.

### Features

- PLEASE NOTE FOLLOWING RECOMMENDATIONS WHEN SELECTING DIE CLEARANCE:
- Material Thickness - 2 ~ 4mm = Die Clearance 0.2mm
- Material Thickness - 4 ~ 9.5mm = Die Clearance 0.7mm
- Material Thickness - 10 ~ 14.5mm = Die Clearance 1.2mm
- Material Thickness - 15 ~ 19.5mm = Die Clearance 1.7mm
- Material Thickness - 20 ~ 24mm = Die Clearance 2.2mm

### Optional Accessories

- Please Note: Slotted punch requires a sleeve to fit on current Sunrise machines
- Models IW-45MQ, IW-45K, IW-60H requires (PP630A)
- Models IW-60S/SD, IW-80S/SD, IW-100S/SD, IW-125S/SD, IW-165S/SD requires (PP630)

Product Brochure For P6025

**Specific Features**



Top View

**Recommended Accessories**

P6026  
 10.7 x 20.7mm Slotted Die

PP630A  
 QUICK CHANGE ADAPTOR  
 30MM

PP630  
 QUICK CHANGE ADAPTOR  
 30MM

PP705  
 DIE REDUCING BUSH  
 30MM



PP0016  
 DIE RING SPACER

