

Product Brochure For P709

**Ø9mm Round Punch - RPN1**

Hi -Grade Tool Steel Imported From Japan

Ex GST  
**\$50.00**

Inc GST  
**\$55.00**



ORDER CODE:	P709
MODEL:	RPN1
Type:	Punch
Punch Diameter (D) (mm):	Ø9
Die Diameter (D) (mm):	~
Pack Quantity (No.):	1



**Description**

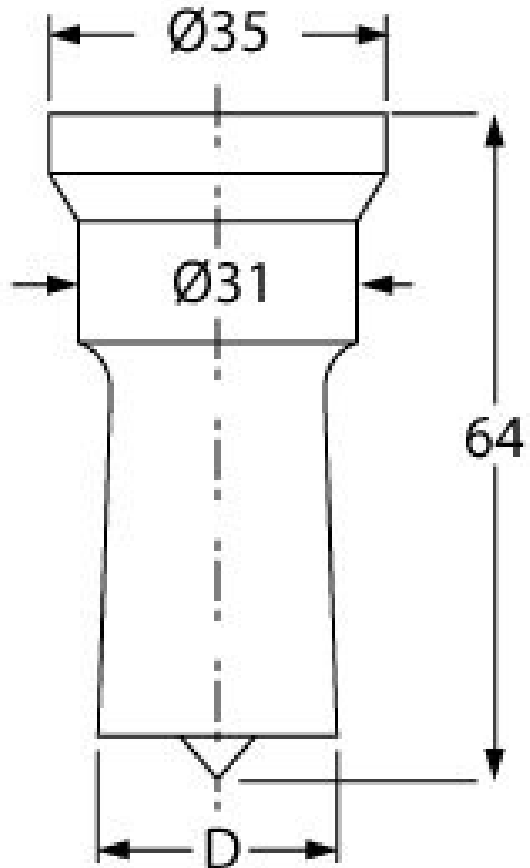
Punch and Dies are Manufactured by Sunrise in Taiwan using Hi -Grade Tool Steel imported from Japan. The manufacturing process involves machining via hi tech CNC machines lathes & mills, vacuum heat treatment with multiple tempering at high temperatures before a final quality inspection/testing process all of which ensures an accurate, precise, durable & stable product.

**Features**

- PLEASE NOTE FOLLOWING RECOMMENDATIONS WHEN SELECTING DIE CLEARANCE:
- Material Thickness - 2 ~ 4mm = Die Clearance 0.2mm
- Material Thickness - 4 ~ 9.5mm = Die Clearance 0.7mm
- Material Thickness - 10 ~ 14.5mm = Die Clearance 1.2mm
- Material Thickness - 15 ~ 19.5mm = Die Clearance 1.7mm
- Material Thickness - 20 ~ 24mm = Die Clearance 2.2mm

**Optional Accessories**

- Other sizes and shapes available on request



Product Brochure For P709

---

**Recommended Accessories**

P709B

Ø9.2mm Round Die - RDN1

P709A

Ø9.7mm Round Die - RDN1

