

Product Brochure For P9039

## CNC Plasma Cutting Table - Swiftcut PRO 3000DD

3000 x 1500mm Downtraft Table System

Hypertherm Powermax125 - Cuts up to 25mm Mild Steel Plate

**On Sale**

Ex GST

Inc GST

~~\$54,900.00~~

~~\$60,390.00~~

\$53,900.00

\$59,290.00



ORDER CODE:	P9039
MODEL:	Swift-Cut PRO 3000DD
Cutting Capacity - Mild Steel (mm):	25
Cutting Table Capacity (mm):	3000 x 1500
Plasma Cutting Unit:	Powermax 125
Current Output (amp):	30 - 125
Duty Cycle (Typical):	100% @ 125A
Fume Management (Type):	Downtraft System
Cutting Gas (Type):	Air
Plasma Unit Input Voltage (V):	415V
Machine Input voltage:	~
Plasma Unit Input Amperage (amp):	36
Nett Weight (kg):	1400



### Description

With a 3000 x 1500mm cutting area, the Swift-Cut PRO 3000 is a feature packed plasma cutting table with the ability and power to cut for as long as required. With a robust steel fully welded frame and free standing operators console, making it ideal for workshops, metal fabricators, educational establishments, designers and artists.

With gantry parking to allow a full sheet to be loaded overhead and a dropped rail for ease of loading, not to mention the simple on-going maintenance, the Swift-Cut PRO 3000 really is the answer to all your cutting needs.

SOFTWARE: Standard Version

- Auto Arc voltage capture and regulation to automatically adjust the cut settings to suit varied material characteristics
- Program recovery function automates starting part way through a program
- Sheet Trim function to easily trim off excess skeleton
- G code browser & editor for the novice operator
- G code favourites – user customised
- DXF, DWG & JPEG photo import function
- 3D part Viewer
- Advanced importer with ability to re-export and save the filtered DXF
- 5 user assigned reference points for jigs and fixtures
- Sheet rotation function
- Automatic lead in / out of cut paths
- Dry run capability for testing prior to cutting
- Parametric shapes library with over 80 shapes
- Automatic cutting consumable recommendations based on material and thickness
- Manual nesting of parts
- Team viewer software for remote support

SOFTWARE: Advanced Version (Optional Extra)

- All of the Standard version features
- Automatic nesting parts for economical sheet usage
- Automatic Part in part nesting - Nests parts in scrap areas to fully utilise sheet

HYPERTHERM PLASMA:

Delivering maximum power and performance for air plasma, the Powermax125® plasma system cuts thick metals fast. Able to make short work of the toughest cutting jobs the system offers a 100% duty cycle @ 25 mm mechanized pierce capability

### Features

## Product Brochure For P9039

- Fully fabricated and welded steel frame
- Dnwdraft extraction table for efficient control of sparks and fumes (Requires extraction system)
- Dropped rails for ease of loading full sheets
- Gantry parking to allow full sheet to be loaded overhead
- Linear guideways for fast accurate motion
- High speed axis motors with closed loop feedback (encoder) for accuracy and reliability
- Dual motor drive Y-axis
- Rack and pinion drive system
- 360 Degree Breakaway head eliminates damage to torch and improves safety
- Laser guide for easy sheet positioning
- Free-Standing Operators Console with LCD TOUCHSCREEN control
- Cut metal up to 25mm thick depending on the Hypertherm Powermax unit selected
- Soft sense Digital Torch-Height Control (DTHC) Quick response for improved cut quantity and improved torch consumable life. This unique touch sensing is so soft and accurate even the thinnest sheet metal will not deflect while sensing.
- Dynamic Cut Control (DCC) is available on all Swiftcut PRO machines, This feature enables Software control of cutting amps and air pressure, Error messages, air pressures and critical data from the plasma unit is displayed on Swiftcut control screen for operator convenience, On the fly arc voltage, air pressure and cutting speed control ensures the highest quality cut at all times. INDUSTRY 1st UNIQUE TO SWIFT-CUT

### Optional Accessories

- SwiftMark marker unit - Integrated pneumatic marker. Can be used to automatically mark text, fold lines and centre marks on components prior to profiling to avoid costly second operations. Great for part numbering or serial numbering of parts.
- Advanced upgrade - Swiftcam software upgrade

### Specific Features



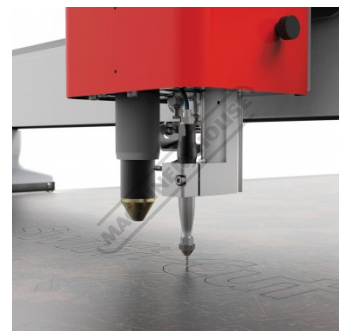
Pro 3m Made In UK



Console



Initial Height Sense



Optional Engraver Shown



Head Gantry



Gantry Safety-Cover

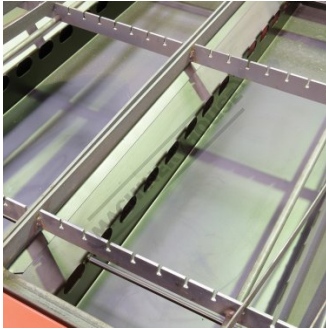


Linear Rail Rack-Side



Side Rail Head

Product Brochure For P9039



Downdraft Tablet Vent Ports



Downdraft Table Exhaust Chute



Supplied With Powermax125

Recommended Accessories

W2723  
Laser Fume Extraction



P9056  
SwiftCAM Advanced Software Upgrade



P9064  
Swift-Marker Pro 2020



C525  
Classic Industrial Series 3 Phase Reciprocating - Pilot Air Compressor



C5451  
Refrigerated Compressed Air Dryer



P7870  
Deburring Machine



P849  
Hypertherm 30-125A Electrode



P850  
Hypertherm 125A Nozzle



Product Brochure For P9039

P851  
 Hypertherm 65A Nozzle



P852  
 Hypertherm 45A Nozzle



P853  
 Hypertherm FineCut Only Nozzle



P854  
 Hypertherm 125A Shield



P855  
 Hypertherm 45-65A Shield



P856  
 Hypertherm FineCut Only Shield



P857  
 Hypertherm 125A Swirl Ring



P858  
 Hypertherm FineCut Only Swirl Ring



P859  
 Hypertherm 30-125A Retaining Cap



P8064  
 Hypertherm Hand Torch Cap



AP0001  
 Air filter element kit -Internal



AP0006  
 Hypertherm O-Ring



Product Brochure For P9039

---

AP0007  
Hypertherm O-Ring Lube

P8081  
Hypertherm Elimizer Filter -  
Replacement filter element

