

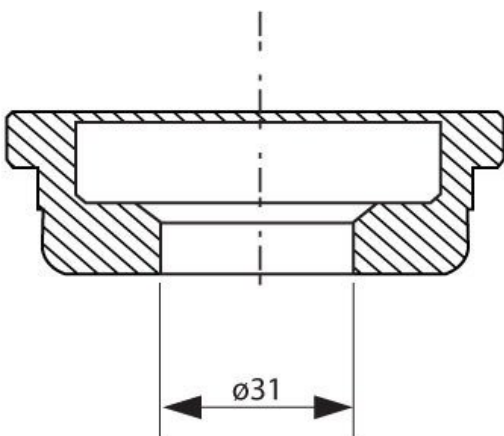
Product Brochure For PP631A

QUICK CH/ADAPTOR 31MM RSAQ31

Suits IW-45MQ, IW-45K, IW-60H

Ex GST
\$130.00

Inc GST
\$143.00



Product Brochure For PP631A

Specific Features



PP630A QUICK CH ADAPTOR 31mm RSAQ31