

Product Brochure For Q1242

Digital Outside Micrometer - 10-1242

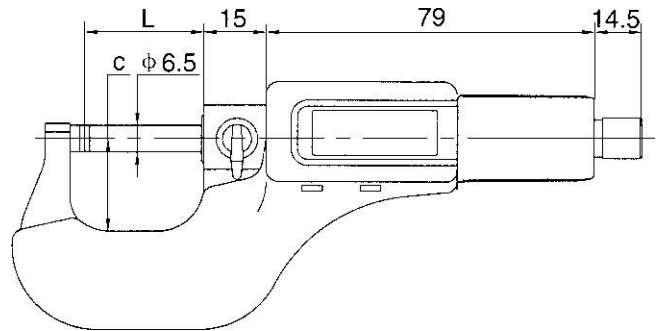
25-50mm / 1-2"



On Sale

Ex GST	Inc GST
\$150.00	\$165.00
\$126.36	\$139.00

ORDER CODE:	Q1242
Range (mm / inch):	25 - 50mm / 1 - 2"
Accuracy (mm):	±0.002
C (mm):	29
L (mm):	54
Protection Rating:	~
Direct RS-232 output (Yes / No):	No



Description

Quick, accurate and easy to use, at an economical price.

Features

- Large LCD for easy reading
- Metric-imperial conversion and zero setting keys
- Friction thimble for easy one hand use
- Painted frame. Carbide measuring faces
- Resolution: 0.001mm/0.0005"

Includes

- Includes CR2032 battery
- Ball point adaptor for use with round pipe or tubes (wall thickness)

Product Brochure For Q1242

Specific Features



Shown with Ball Point Adaptor

Recommended Accessories

Q675

Micrometer Stand

