

Product Brochure For Q146

Depth Micrometer - 22-146

0-100mm

Metric

On Sale

Ex GST

Inc GST

\$250.00

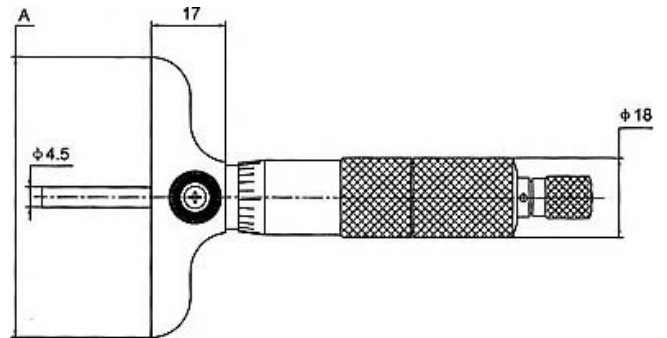
\$275.00

\$208.18

\$229.00



ORDER CODE:	Q146
Range (mm / inch):	0 - 100mm
Graduation (mm):	0.01
Accuracy (mm / inch):	±0.005mm
A (mm / inch):	100mm
Rods (No.):	4



Description

High accuracy interchangeable rods with hardened and micro lapped anvils, provide a wide measuring range

Features

- High accuracy interchangeable rods with hardened and micro lapped flat anvils, provide a wide measuring range
- The interchangeable rods are held securely under the top ratchet section and have individual adjustment for resetting if required
- The base is hardened, ground and lapped for accuracy
- Ratchet stop for exact repetitive readings
- Positive locking clamp
- Resolution: Metric 0.01mm

Product Brochure For Q146

Specific Features



Graduations



Measuring Example



Figure 1



Figure 2



Figure 3