

Product Brochure For Q1947

## Vernier Calipers - 32-1947

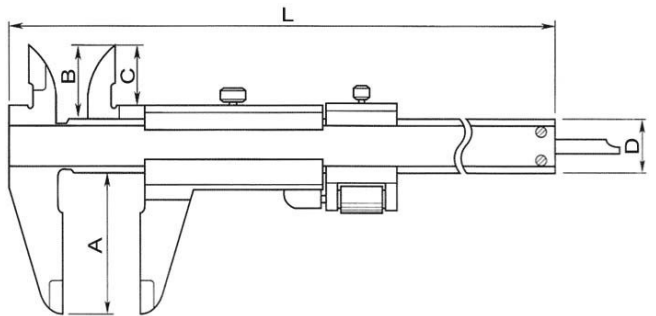
280mm / 11"  
 Fine Adjuster

**On Sale**

<b>Ex GST</b>	<b>Inc GST</b>
<b>\$150.00</b>	<b>\$165.00</b>
<b>\$127.27</b>	<b>\$140.00</b>



ORDER CODE:	Q1947
Range:	280mm / 11"
Graduations:	0.02mm / 0.001"
Accuracy (mm):	±0.04
A (mm):	62
B (mm):	27
C (mm):	22
D (mm):	20
L (mm):	400
4 Way (Yes / No):	Yes



### Features

- Mono-block vernier
- With fine adjustment
- Made of stainless steel
- 4-Way measuring
- Accuracy ±0.04mm
- Supplied with vinyl protective sleeve

Product Brochure For Q1947

---

**Specific Features**



Metric and Imperial Graduations

Pouch