

Product Brochure For Q197

Vernier Calipers - 33-197

450mm/18"

Large Mono Block

On Sale

Ex GST

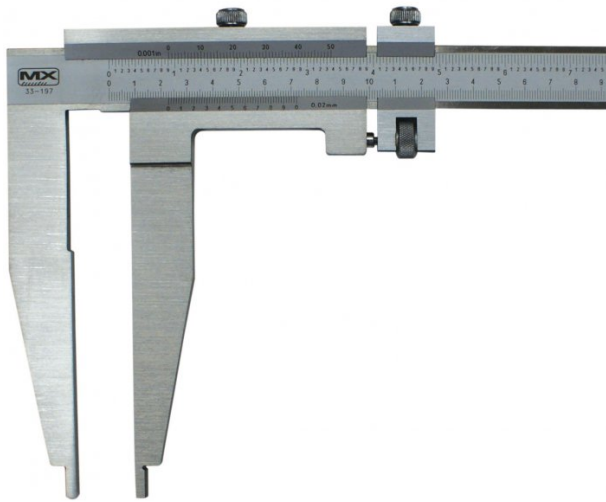
Inc GST

\$340.00

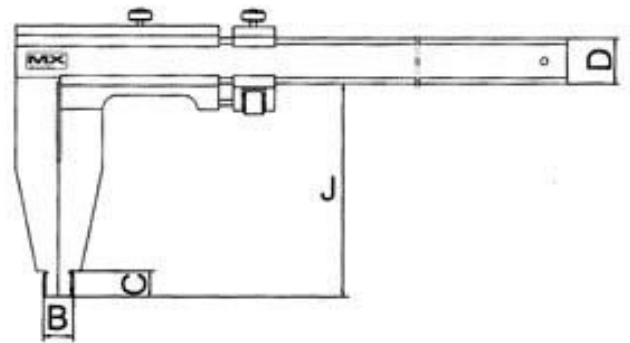
\$374.00

\$290.00

\$319.00



ORDER CODE:	Q197
Range (mm / inch):	450mm / 18"
Graduations (mm / inch):	0.02mm / 0.001"
Accuracy (mm):	±0.04
J (mm):	150
B (mm):	10
C (mm):	12
D (mm):	25



Features

- Precision vernier calipers with stainless steel body and slides
- Mono-block design
- Supplied in wooden case
- Instrument are manufactured to ISO 10012:2003
- An ISO9001:2000 Company
- Clear graduations - Metric/Imperial graduations
- Long Jaw style

Product Brochure For Q197

Specific Features



Full View



Metric and Imperial Graduations



Case



Case Open