

Product Brochure For Q211

## Metric Dial Indicator - 34-211

0-10mm  
 Smooth movement

**On Sale**

Ex GST  
**\$75.00**  
**\$62.73**

Inc GST  
**\$82.50**  
**\$69.00**

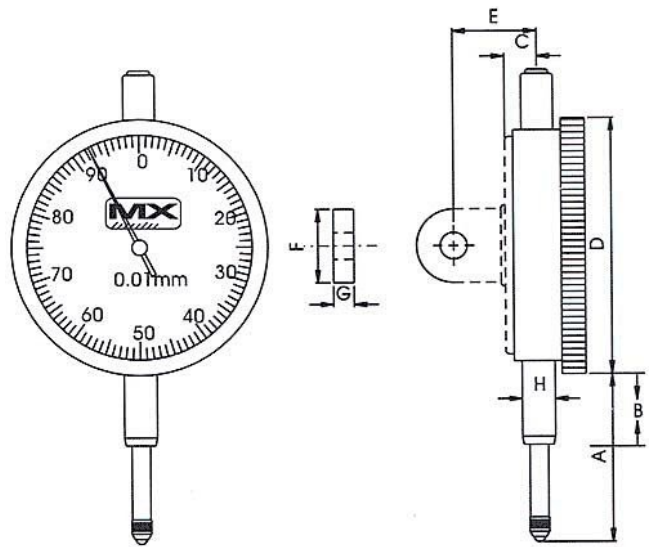


|                          |          |
|--------------------------|----------|
| ORDER CODE:              | Q211     |
| Range (mm / inch):       | 0 - 10mm |
| Graduations (mm / inch): | 0.01mm   |
| A (mm):                  | 40       |
| B (mm):                  | 21       |
| C (mm):                  | 8        |
| D (mm):                  | 58       |
| E (mm):                  | 19       |
| F (mm):                  | 17       |
| G (mm):                  | 6.35     |
| H (mm):                  | 8        |



### Features

- Face Ø58mm - Back plate mounting lug
- Smooth movement
- In-out tolerance marker
- Supplied in foam lined plastic case with calibration certificate



Product Brochure For Q211

**Recommended Accessories**

**Q2165**  
 Ø10mm Flat Contact for Dial Indicators



**Q2167**  
 Contact Point for Dial Indicators



**Q2125**  
 Back Plate with Lug for Dial Indicators



**M050**  
 Magnetic Base - Standard



**M051**  
 Magnetic Base - Deluxe - One Lock



**Q430**  
 Magnetic Base - Small



**Q435**  
 Magnetic Base - Large



**Q4351**  
 Magnetic Base - Large



Product Brochure For Q211

---

Q436

Magnetic Base - One Lock  
(Large)

