

Product Brochure For Q214

Metric Dial Indicator - Precision - 34-214

0-10mm

6 x Precision Jewel Movement

On Sale

Ex GST

\$70.00

\$59.00

Inc GST

\$77.00

\$64.90

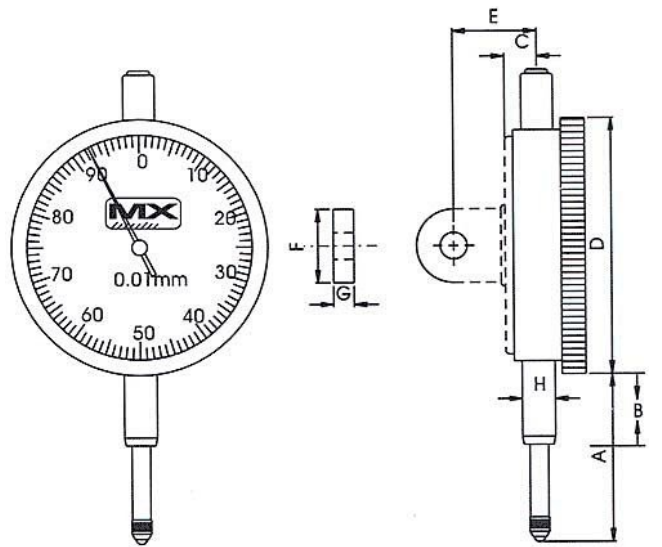


ORDER CODE:	Q214
Range (mm):	0 - 10mm
Graduations (mm):	0.01mm
A (mm):	35
B (mm):	19
C (mm):	8
D (mm):	60
E (mm):	19
F (mm):	18
G (mm):	5
H (mm):	8



Features

- Smooth 6 jewel movement
- In-out tolerance maker
- Flat glass
- Flat back and back lug supplied
- Jewelled bearing construction, shockproof
- Individual serial numbers with corresponding calibration certificate
- Supplied in foam lined plastic case



Product Brochure For Q214

Recommended Accessories

Q2165
 Ø10mm Flat Contact for Dial Indicators



Q2167
 Contact Point for Dial Indicators



Q2125
 Back Plate with Lug for Dial Indicators



M050
 Magnetic Base - Standard



M051
 Magnetic Base - Deluxe - One Lock



Q430
 Magnetic Base - Small



Q435
 Magnetic Base - Large



Q4351
 Magnetic Base - Large



Product Brochure For Q214

Q436

Magnetic Base - One Lock
(Large)

