

Product Brochure For Q217

## Dial Test Indicator - Metric - 34-217

Jewel Movement - Measuring In Both Directions  
 0 - 0.8mm Travel



### Features

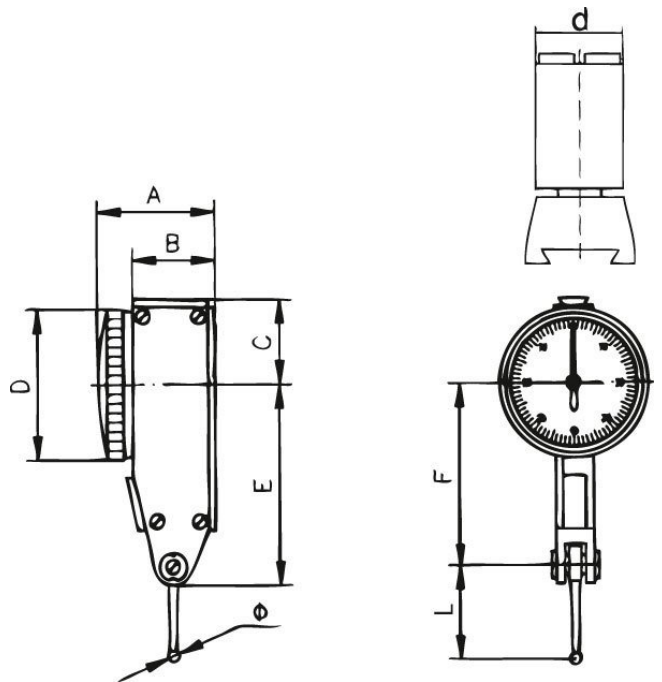
- The dial test indicator is ideally suited for all kinds of comparative measurements in the workshop and inspection room
- It also can be used together with machine tools, apparatus and other measuring devices - Steel ball end
- Jewel movement - measuring in both directions

**On Sale**

Ex GST  
**\$105.00**  
**\$90.00**

Inc GST  
**\$115.50**  
**\$99.00**

ORDER CODE:	Q217
Range:	0 - 0.8mm
Graduations:	0.01mm
A (mm):	26.35
B (mm):	18.35
B1 (mm):	~
C (mm):	16.5
D (mm):	Ø37
d (mm):	6 / 8
E (mm):	44
F (mm):	39.75
G (mm):	~
H (mm):	~
I (mm):	~
J:	~
K (mm):	~
L (mm):	16.5
L1 (mm):	~
Ø (mm):	2



Product Brochure For Q217

**Specific Features**



Rear Mounting



Front Mounting

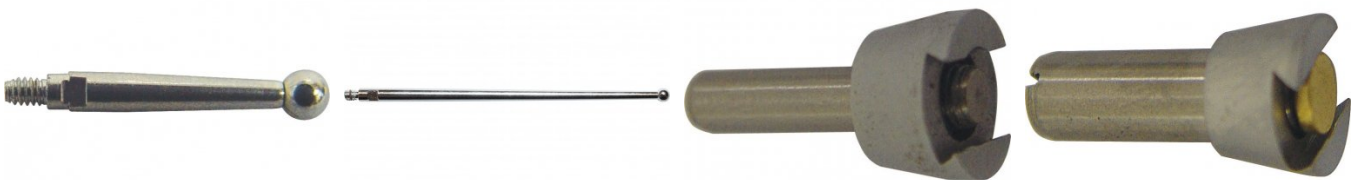
**Recommended Accessories**

Q2176  
 Stylus for Dial Test Indicators

Q2177  
 Stylus for Dial Test Indicators

Q2182  
 Stem for Dial Test Indicators

Q2183  
 Stem for Dial Test Indicators



Q2184  
 Stem for Dial Test Indicators

M050  
 Magnetic Base - Standard

M051  
 Magnetic Base - Deluxe - One Lock

Q430  
 Magnetic Base - Small



Product Brochure For Q217

---

Q435  
Magnetic Base - Large



Q4351  
Magnetic Base - Large



Q436  
Magnetic Base - One Lock  
(Large)

