

Product Brochure For Q218

Dial Test Indicator - Metric - 34-218

Gradient of 12 degrees On Dial Face

±1.6mm Travel



On Sale

Ex GST

\$180.00

\$152.73

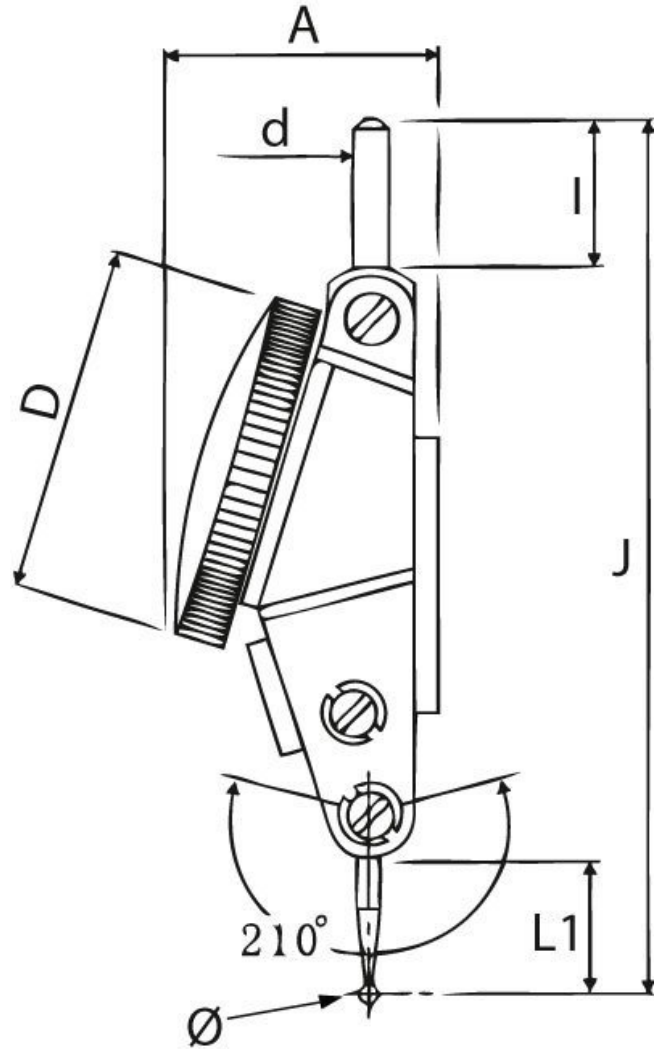
Inc GST

\$198.00

\$168.00

ORDER CODE:	Q218
Range:	±1.6mm
Graduations:	0.01mm
A (mm):	31.2
B (mm):	~
B1 (mm):	~
C (mm):	~
D (mm):	Ø38
d (mm):	4 / 8
E (mm):	~
F (mm):	~
G (mm):	~
H (mm):	~
I (mm):	16.5
J:	99
K (mm):	~
L (mm):	~
L1 (mm):	19
Ø (mm):	2.5

Product Brochure For Q218



Features

- Large measuring range - 1.6mm - +1.6mm
- Measurement in both directions - steel ball end
- Gradient of 12 degrees on dial face
- Mono enclosure for air tight seal

Product Brochure For Q218

Specific Features



Rear Mounting



Top Mounting

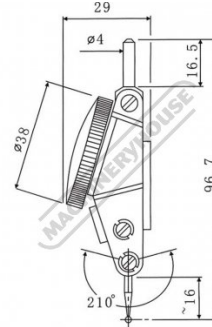


Diagram Dimensions

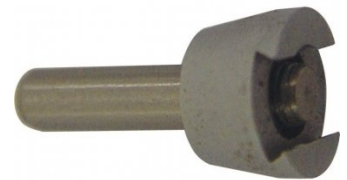
Recommended Accessories

Q2173
 Stylus for Dial Test Indicators

Q2172
 Stylus for Dial Test Indicators

Q2171
 Dial Test Indicator - Imperial

Q2182
 Stem for Dial Test Indicators



Q2183
 Stem for Dial Test Indicators

Q2184
 Stem for Dial Test Indicators

M050
 Magnetic Base - Standard

M051
 Magnetic Base - Deluxe - One Lock



Product Brochure For Q218

Q430
Magnetic Base - Small



Q435
Magnetic Base - Large



Q4351
Magnetic Base - Large



Q436
Magnetic Base - One Lock
(Large)

