

Product Brochure For Q2205

Digital Indicator - 34-2205

12.5mm / 0.5"



Features

- Manual power On/Off
- Zero setting at any position
- Metric/Imperial system conversion at any position
- With data output interface (cable 40-4061)
- Max speed 1.5m/sec
- Supplied with Lugged Back

Includes

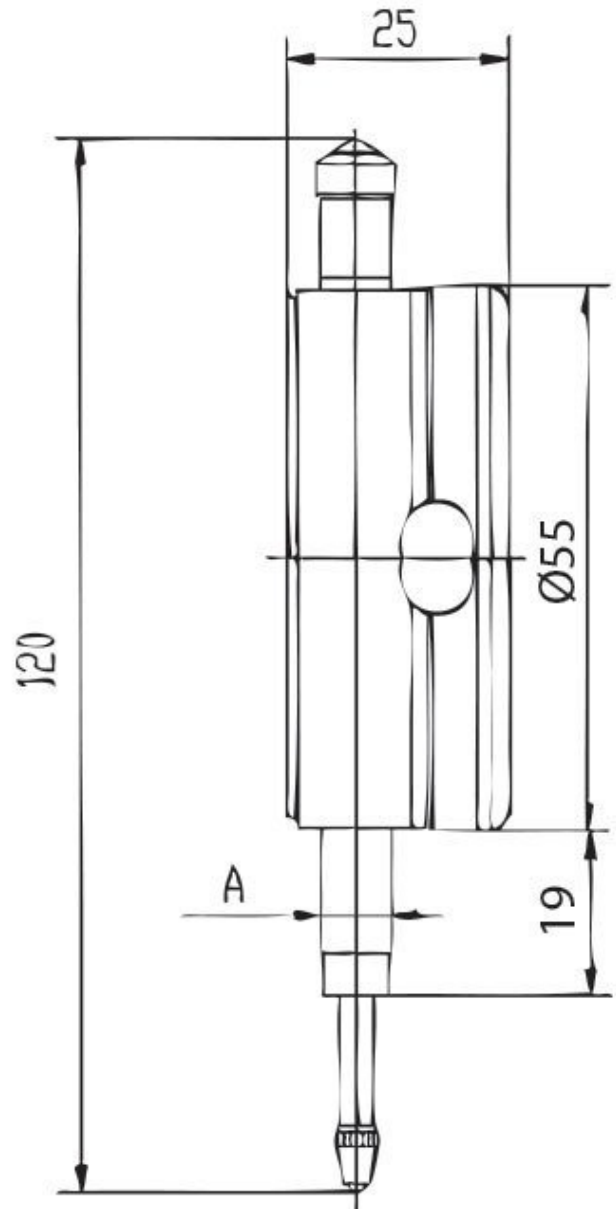
- Includes CR2032 battery

On Sale

Ex GST
~~\$120.00~~
\$90.00

Inc GST
~~\$132.00~~
\$99.00

ORDER CODE:	Q2205
Range (mm / inch):	12.5mm / 0.5"
Resolution:	0.01mm / 0.0005"
Accuracy:	0.02
Diameter:	55
A:	8



Product Brochure For Q2205

Recommended Accessories

Q2165
 Ø10mm Flat Contact for Dial Indicators



Q2167
 Contact Point for Dial Indicators



M050
 Magnetic Base - Standard



M051
 Magnetic Base - Deluxe - One Lock



Q430
 Magnetic Base - Small



Q435
 Magnetic Base - Large



Q4351
 Magnetic Base - Large



Q436
 Magnetic Base - One Lock (Large)

