

Product Brochure For Q221

Digital Indicator - 34-221

0-50mm / 2"



On Sale

Ex GST

\$320.00

\$271.82

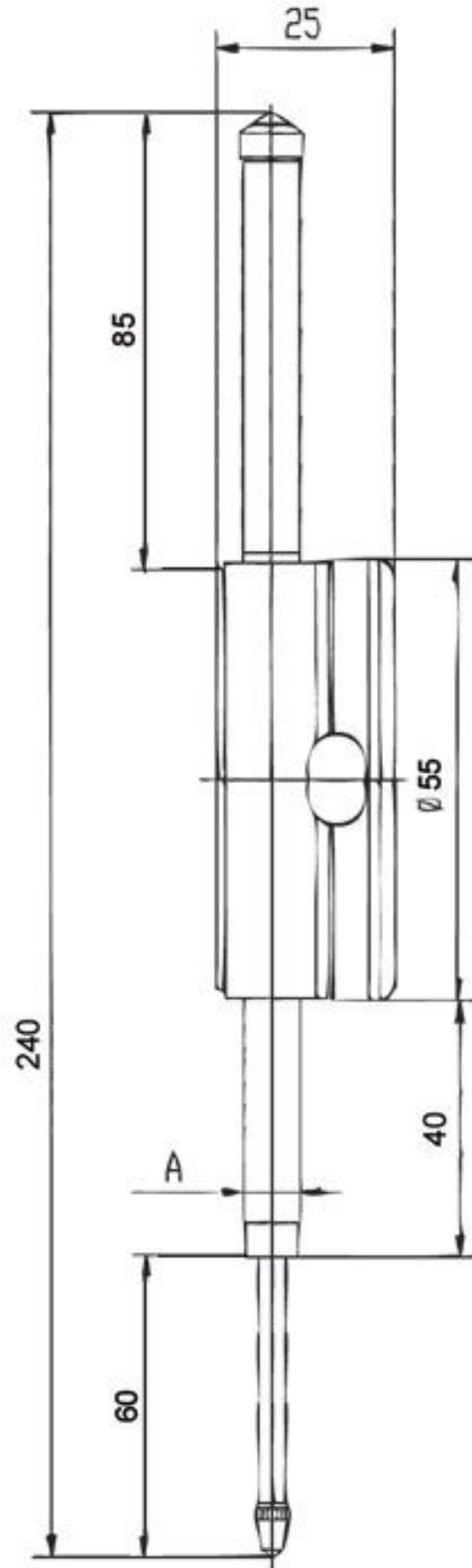
Inc GST

\$352.00

\$299.00

ORDER CODE:	Q221
Range (mm / inch):	0 - 50mm / 0 - 2"
Resolution:	0.01mm / 0.0005"
Accuracy:	0.009
Diameter:	55
A:	8

Product Brochure For Q221



Features

- Manual power On/Off
- Zero setting at any position
- Metric/Imperial system conversion at any position
- Max speed 1.5m/sec

Includes

- Includes CR2025 battery

Product Brochure For Q221

Recommended Accessories

Q2168
 Contact Point for Dial Indicators



M050
 Magnetic Base - Standard



M051
 Magnetic Base - Deluxe - One Lock



Q430
 Magnetic Base - Small



Q435
 Magnetic Base - Large



Q4351
 Magnetic Base - Large



Q436
 Magnetic Base - One Lock (Large)

