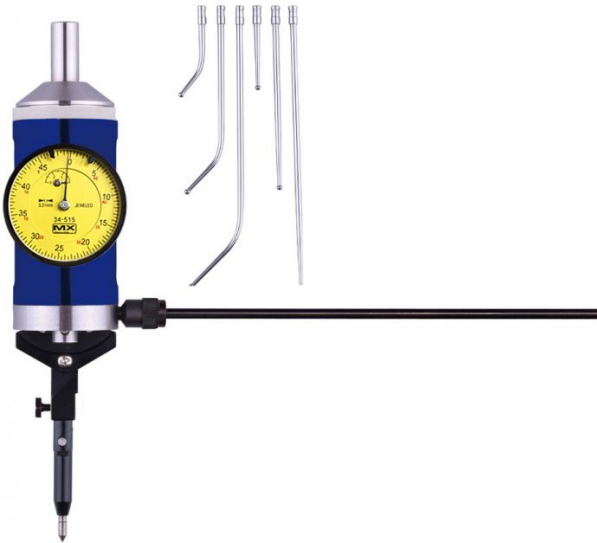


Product Brochure For Q515

## Centering Dial Indicator - 34-515

0 - 3mm



**On Sale**

<b>Ex GST</b>	<b>Inc GST</b>
<del>\$200.00</del>	<del>\$220.00</del>
<b>\$170.00</b>	<b>\$187.00</b>

ORDER CODE:	Q515
Range (mm):	0 - 3mm
Graduations (mm):	0.01mm
Straight Stylus (mm):	45, 100, 154
Curved Stylus (mm):	45, 100, 154
Swivel Point Stylus (mm):	52.5
Stylus Diameter (mm):	3
Mount (mm):	10

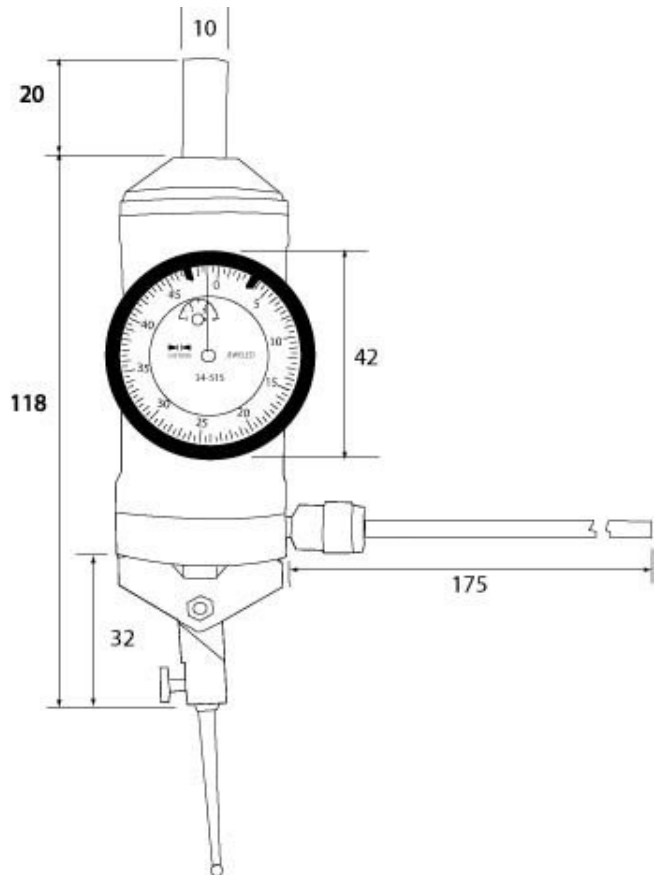


### Description

Used to locate a work piece center quickly and accurately whilst the indicator faces the operator at all times by way of a restraining arm.

### Features

- Quick and accurate centering internal & external
- Operates at any angle from horizontal to vertical
- The dial indicator remains stationary while rotating the spindle manually.
- The set includes 7 stylus probes and a restraining arm.
- Packed in wooden box



Product Brochure For Q515

**Specific Features**



Jeweled Metric Dial



Stylus Shown Attached



Stylus



Centre Dial



Wooden Box