

Product Brochure For Q8532

## 720mm Digital Readout Scale - MX-300-720/5U

MX-300 Standard Scale  
 5µm Resolution

**On Sale**

Ex GST

~~\$160.00~~  
**\$135.45**

Inc GST

~~\$176.00~~  
**\$149.00**



ORDER CODE:	Q8532
MODEL:	MX-300
Type:	Linear Scale
Travel - Maximum (mm):	720
Overall Length (L) (mm):	826
Scale Resolution (µm):	5µm (0.005mm)
Grating Pitch:	20µm (0.02mm)
Accuracy (µm):	±0.005mm?±0.01mm/M
Output Signal:	5V TTL
Connector:	9 pin D-Sub
Cable Length (Metre):	3m metal conduit
Working Temperature (°C):	-10?—60?
Sealing Protection Class:	Class: IP54
Maximum Speed (M/min):	60M/Min
Reference Point:	Every 50mm
Width x Height (W x H) (mm):	~
Backing Support Plate (Yes / No):	Yes



### Description

The Measumax MX-300 & MX-600 series linear scales are available in measuring lengths from 370 to 3000mm. With a 5µm resolution and a response speed of 60m/min these scales deliver 100% accuracy.

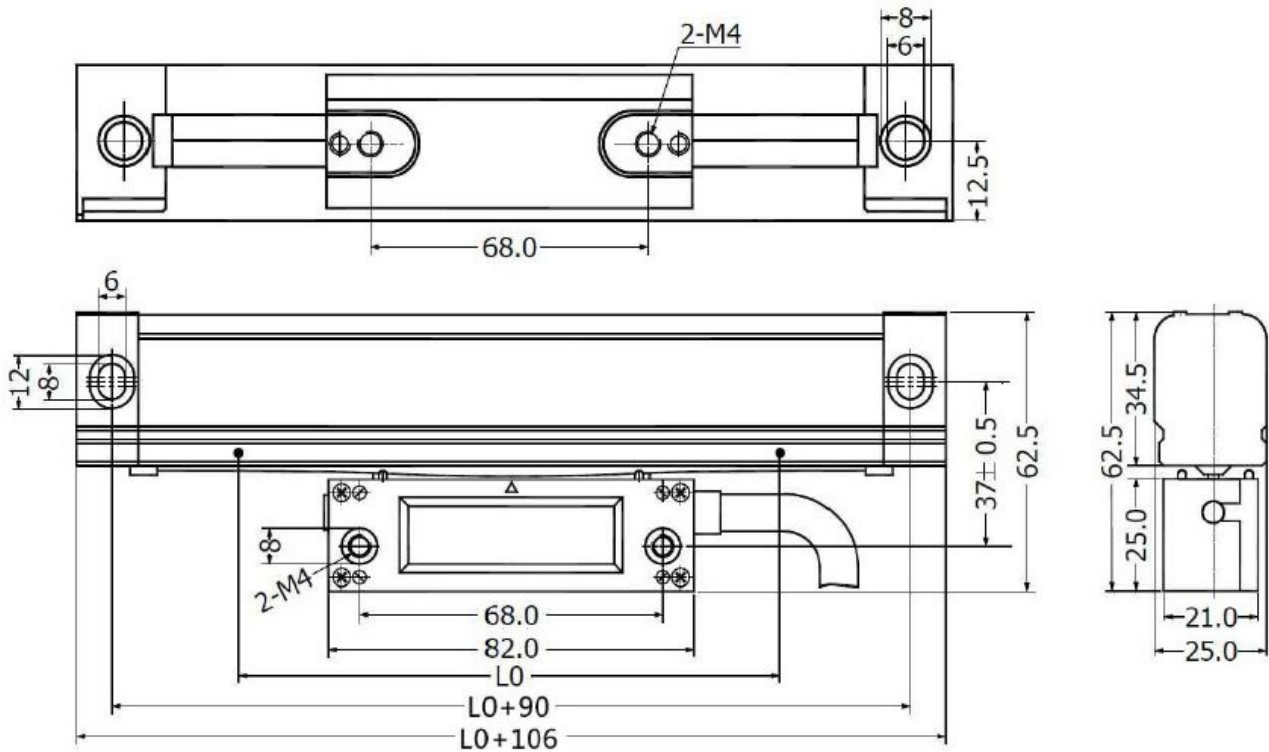
### Features

- NSK Japanese, five bearing sliding structure for a smooth and accurate movement along the length of the scale
- Glass scale with 5µm resolution
- Scale body made from extruded Aluminium with wiper seals providing IP54 protection
- MX-300 series 15 x 34.5mm (W x H) section
- 3m connection cable with 9 pin D-Sub connector

### Includes

- 720mm Linear scale
- Scale cover
- 1 x Angle 'B2' Bracket Slotted and Tapped (40x50x8mm x 80mm wide)
- 1 x Flat 'D2' Bracket Slotted and Tapped (70x80x10mm)
- Screws and washers

**MeasumaX<sup>MX</sup>**  
**MX-300 Series - LINEAR SCALES**



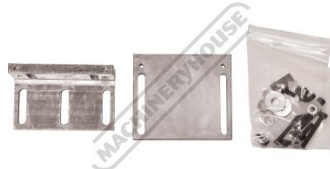
L0 = Effective measuring length of scale

Product Brochure For Q8532

**Specific Features**



Scale Covers



Mounting Bracket

**Recommended Accessories**

**Q8500**  
 3-Axis Digital Readout

**D709**  
 Easson Scales - Extension  
 Cable

**D710**  
 Easson Scales - Extension  
 Cable

