

Product Brochure For Q8540

## 1200mm Digital Readout Scale - MX-600-1200/5U

MX-600 Standard Scale  
 5µm Resolution

**On Sale**

<b>Ex GST</b>	<b>Inc GST</b>
<del>\$290.00</del>	<del>\$319.00</del>
<b>\$244.55</b>	<b>\$269.00</b>



ORDER CODE:	Q8540
MODEL:	MX-600
Type:	Linear Scale
Travel - Maximum (mm):	1200
Overall Length (L) (mm):	1370
Scale Resolution (µm):	5µm (0.005mm)
Grating Pitch:	20µm (0.02mm)
Accuracy (µm):	±0.005mm±0.01mm/M
Output Signal:	5V TTL
Connector:	9 pin D-Sub
Cable Length (Metre):	3m metal conduit
Working Temperature (°C):	-10°—60°
Sealing Protection Class:	Class: IP54
Maximum Speed (M/min):	60M/Min
Reference Point:	Every 50mm
Width x Height (W x H) (mm):	~
Backing Support Plate (Yes / No):	Yes



### Description

The Measumax MX-300 & MX-600 series linear scales are available in measuring lengths from 370 to 3000mm. With a 5µm resolution and a response speed of 60m/min these scales deliver 100% accuracy.

### Features

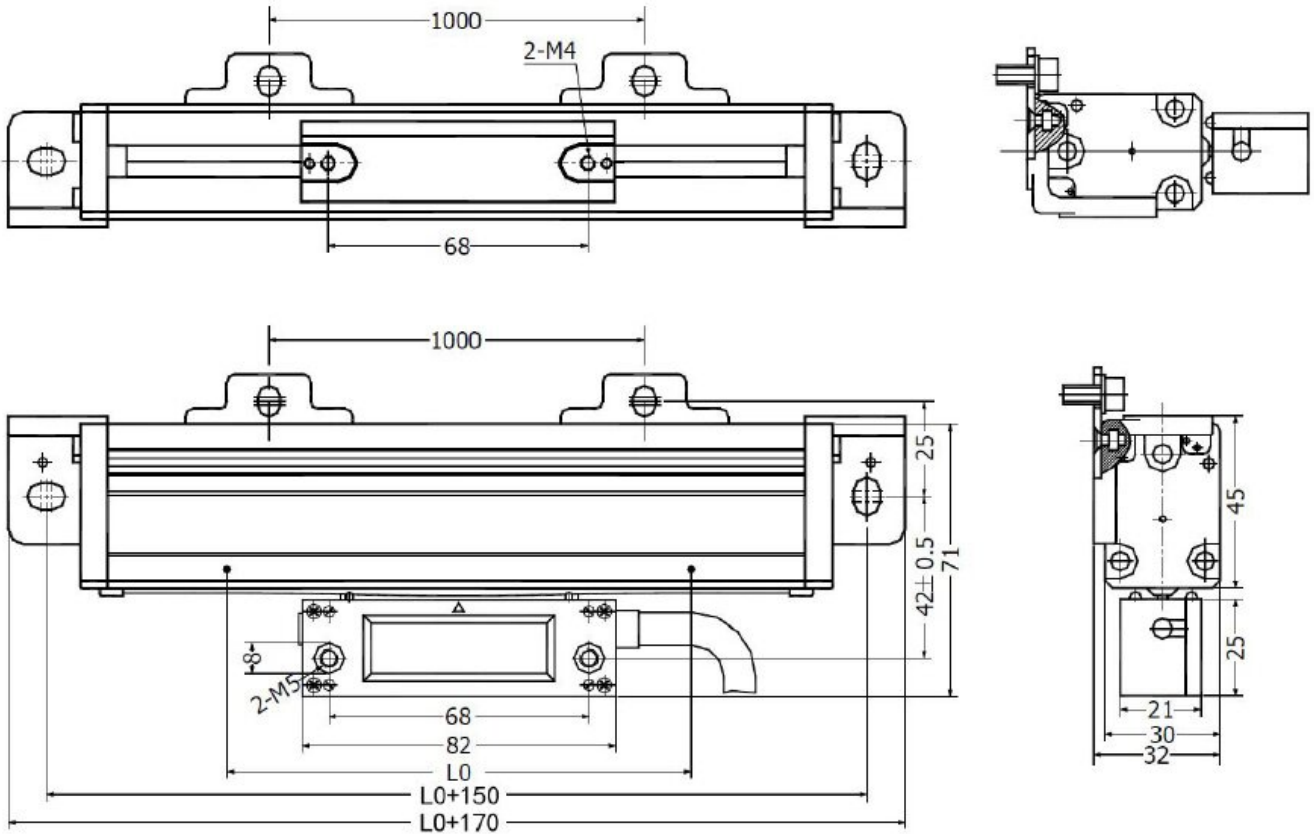
- NSK Japanese, five bearing sliding structure for a smooth and accurate movement along the length of the scale
- Glass scale with 5µm resolution
- Scale body made from extruded Aluminium with wiper seals providing IP54 protection
- MX-600 series 30 x 45mm (W x H) section
- 3m connection cable with 9 pin D-Sub connector

### Includes

- 1200mm Linear scale
- Scale cover
- 1 x Angle 'A2' Bracket Slotted and Tapped (40x130x10mm x 80mm wide)
- 1 x Flat 'C2' Bracket Slotted and Tapped (80x130x10mm)
- Screws and washers

## MeasumaX MX

### MX-600 Series - LINEAR SCALES



L0 = Effective measuring length of scale

Product Brochure For Q8540

**Specific Features**



Scale Covers



Mounting Bracket

**Recommended Accessories**

**Q8500**  
 3-Axis Digital Readout

**D709**  
 Easson Scales - Extension  
 Cable

**D710**  
 Easson Scales - Extension  
 Cable

