

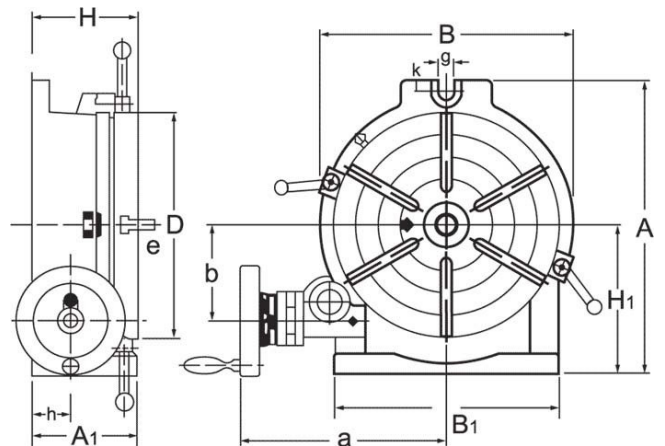
Product Brochure For R005

Vertex Rotary Table - HV-4

Ø110mm



ORDER CODE:	R005
MODEL:	HV-4
Size (mm):	110
A1 (mm):	70
D (mm):	110
H (mm):	80
H1 (mm):	85
A (mm):	145
B (mm):	115
e (mm):	11
g (mm):	12
Number of T-Slots (No.):	3
T-Slot Size (mm):	11
Taper In Centre (MT):	2MT
Nett Weight (kg):	7.5



Description

Manufactured in Taiwan

The Vertex Rotary Table has been designed to be used where a precision work positioning device is required. It allows the operator to mill or drill components at exact intervals around a fixed axis. Additional indexing plates can be fitted to allow the Vertex Rotary Table to be used as a Dividing Head. The Vertex Rotary Table can be used in both the horizontal or vertical plane.

Features

- The Vertex Rotary Table is manufactured from high-density Meehanite cast iron with ground surface areas on the table and body to ensure smooth rotation
- Critical wear parts are hand finished for ultra precision
- All tables are tested for accuracy using 'Heidenhain' electronic equipment to ensure continuing quality
- Worm is hardened and precision ground, with a ratio of 90:1
- Table is graduated to a full 360° so one turn of the handle moves the table 4°
- The collar on the handle is graduated with a vernier scale, readings down to 10 seconds are possible

Product Brochure For R005

Specific Features



Vertical View

Recommended Accessories

R013
Vertex Tailstock

R016
Vertex Dividing Plate

C085
Clamp Kit Tee Nuts

C0948
Mini Clamp Kit 10 piece -
Workshop Series



C0945
Clamp Kit 58 piece - Workshop
Series

