

Product Brochure For R008

Vertex Rotary Table - HV-8

Ø203mm



Description

Manufactured in Taiwan

The Vertex Rotary Table has been designed to be used where a precision work positioning device is required. It allows the operator to mill or drill components at exact intervals around a fixed axis. Additional indexing plates can be fitted to allow the Vertex Rotary Table to be used as a Dividing Head. The Vertex Rotary Table can be used in both the horizontal or vertical plane.

Features

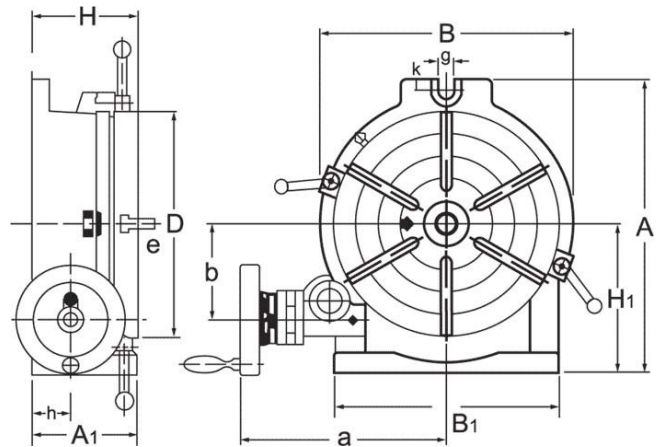
- The Vertex Rotary Table is manufactured from high-density Meehanite cast iron with ground surface areas on the table and body to ensure smooth rotation
- Critical wear parts are hand finished for ultra precision
- All tables are tested for accuracy using 'Heidenhain' electronic equipment to ensure continuing quality
- Worm is hardened and precision ground, with a ratio of 90:1
- Table is graduated to a full 360° so one turn of the handle moves the table 4°
- The collar on the handle is graduated with a vernier scale, readings down to 10 seconds are possible

On Sale

Ex GST
\$690.00
\$620.00

Inc GST
\$759.00
\$682.00

ORDER CODE:	R008
MODEL:	HV-8
Size (mm):	203
A1 (mm):	100
D (mm):	200
H (mm):	105
H1 (mm):	135
A (mm):	265
B (mm):	220
e (mm):	14
g (mm):	17
Number of T-Slots (No.):	3
T-Slot Size (mm):	14
Taper In Centre (MT):	3MT
Nett Weight (kg):	30



Product Brochure For R008

Specific Features



Vertical View

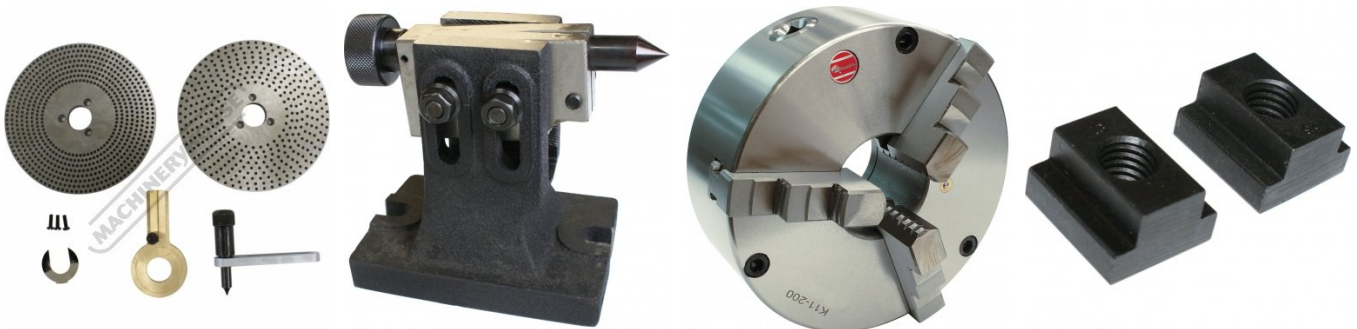
Recommended Accessories

R018
Vertex Dividing Plate

R014
Vertex Tailstock

C281
3 Jaw Self Centring Lathe
Chuck

C086
Clamp Kit Tee Nuts



C0965
Clamp Kit 58 piece - Workshop
Series

