

Product Brochure For R012

## Vertex Rotary Table - HV-12

Ø305mm



**On Sale**

<b>Ex GST</b>	<b>Inc GST</b>
<del>\$1,150.00</del>	<del>\$1,265.00</del>
<b>\$1,050.00</b>	<b>\$1,155.00</b>

ORDER CODE:	R012
MODEL:	HV-12
Size (mm):	305
A1 (mm):	130
D (mm):	300
H (mm):	135
H1 (mm):	195
A (mm):	388
B (mm):	330
e (mm):	16
g (mm):	18
Number of T-Slots (No.):	6
T-Slot Size (mm):	16
Taper In Centre (MT):	4MT
Nett Weight (kg):	60



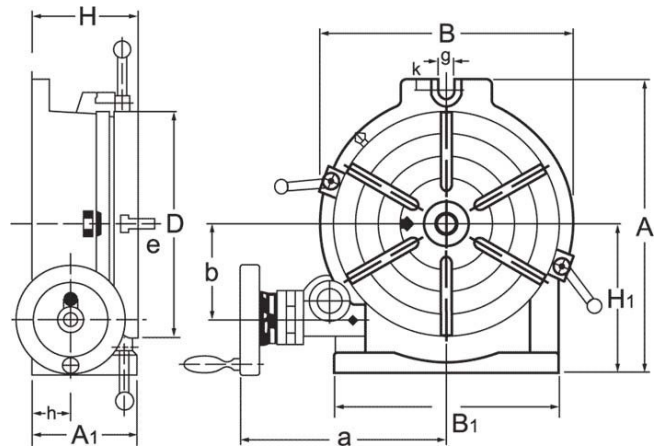
### Description

Manufactured in Taiwan

The Vertex Rotary Table has been designed to be used where a precision work positioning device is required. It allows the operator to mill or drill components at exact intervals around a fixed axis. Additional indexing plates can be fitted to allow the Vertex Rotary Table to be used as a Dividing Head. The Vertex Rotary Table can be used in both the horizontal or vertical plane.

### Features

- The Vertex Rotary Table is manufactured from high-density Meehanite cast iron with ground surface areas on the table and body to ensure smooth rotation
- Critical wear parts are hand finished for ultra precision
- All tables are tested for accuracy using 'Heidenhain' electronic equipment to ensure continuing quality
- Spindle is mounted on precision taper roller bearings for support under heavy cutting loads
- Worm is hardened and precision ground, with a ratio of 90:1
- Table is graduated to a full 360° so one turn of the handle moves the table 4°
- The collar on the handle is graduated with a vernier scale, readings down to 10 seconds are possible



Product Brochure For R012

---

**Specific Features**



Vertical View

**Recommended Accessories**

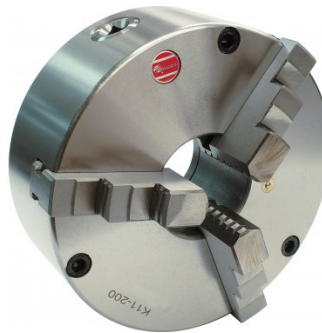
R020  
Vertex Dividing Plate



R015  
Vertex Tailstock



C281  
3 Jaw Self Centring Lathe Chuck



C087  
Clamp Kit Tee Nuts



C096A  
Clamp Kit 58 piece - Industrial Series

