

Product Brochure For S9920S

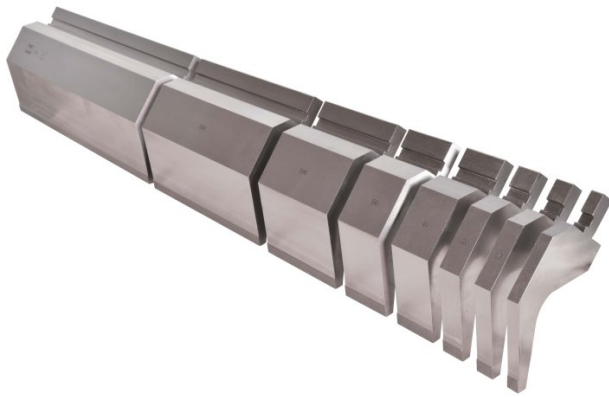
86° Top Punch Gooseneck Pressbrake Tooling - Segmented - TP86-150.800GS

150mm High x 800mm Long, Divided in Segments - 10, 15, 20, 40,
 50, 100, 200, 365mm

Suits MetalMaster, Amada & European Pressbrakes

On Sale

Ex GST	Inc GST
\$1,490.00	\$1,639.00
\$1,390.00	\$1,529.00



Order Code:	S9920S
Model:	TP86-150.800G
Type:	86° Top Punch Gooseneck - Segmented
Size (mm):	150 x 800



Description

Precision Pressbrake Gooseneck Punch made from chromium-molybdenum high strength steel and heat treated for long term durability.

- Nose Angle - 86 Degrees
- Nose Radius - 0.5mm
- Total Height - 150mm
- Shoulder height - 120mm
- Max. Tonnage - 500kN/m
- Length - 800mm divided into the following segments: 10, 15, 20, 40, 50, 100, 200, 365mm

Suits MetalMaster, Amada & European Pressbrakes

Product Brochure For S9920S

Specific Features



Full View

Measurements

Recommended Accessories

S905GL
 Hydraulic NC Pressbrake

S906GL
 Hydraulic NC Pressbrake

S908GL
 Hydraulic NC Pressbrake

S909GL
 Hydraulic NC Pressbrake



S910GL
 Hydraulic NC Pressbrake

S912GL
 Hydraulic NC Pressbrake

