

Product Brochure For S99599

## 60mm Die Rail Pressbrake Tooling - DR60-2500

60mm Die Rail x 2500mm Length

Suits MetalMaster, Amada & European Pressbrakes

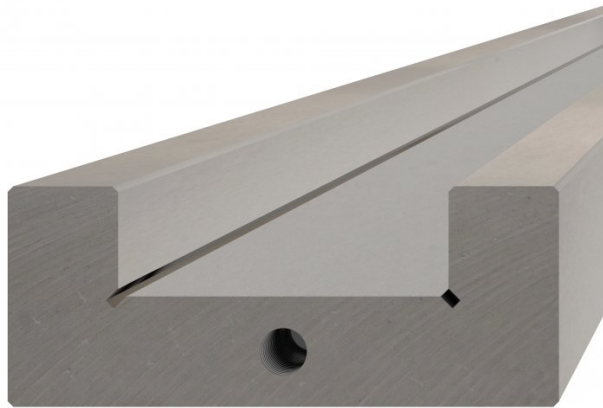
**Back In Stock Soon**

Ex GST

Inc GST

**\$1,190.00**

**\$1,309.00**

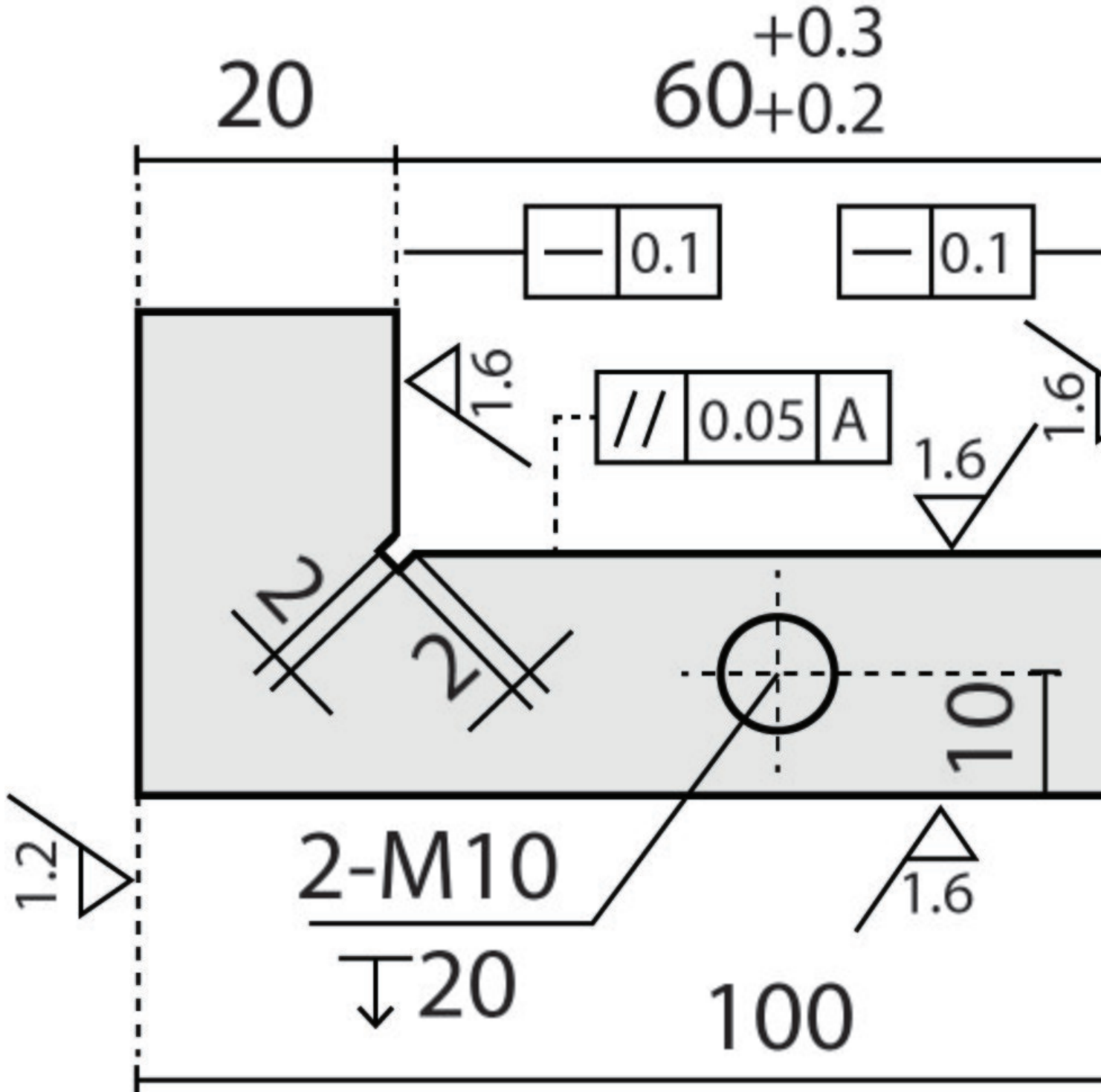


Order Code:	S99599
Model:	DR60-2500
Type:	Die Rail
Size (mm):	60 x 2500



### Description

Die rail holder to suit S996A multi Vee die block



Product Brochure For S99599

**Specific Features**



Full Length

**Recommended Accessories**

**S989**  
 35° Top Punch Pressbrake  
 Tooling

**S989S**  
 35° Top Punch Pressbrake  
 Tooling - Segmented

**S990**  
 35° Top Punch Pressbrake  
 Tooling

**S990S**  
 35° Top Punch Pressbrake  
 Tooling - Segmented



**S99230**  
 Dieblock - 4 Way 60 Degrees

**S99231**  
 Dieblock - 4 Way 60 Degrees -  
 Segmented

**S900GL**  
 Hydraulic NC Pressbrake

