

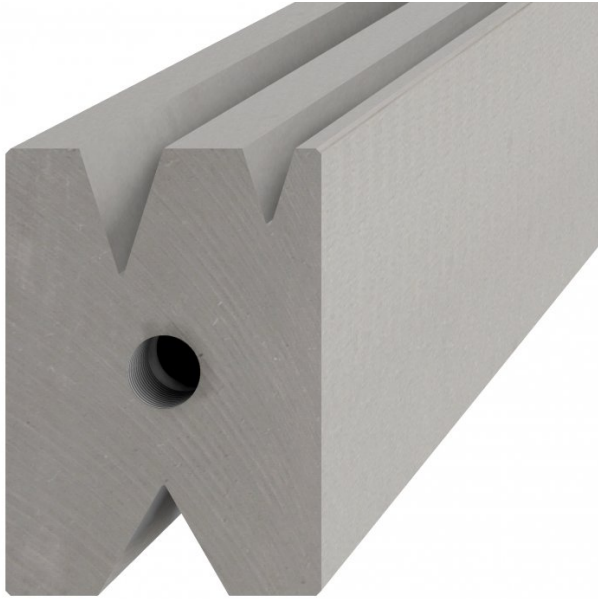
Product Brochure For S996A

60mm Die Block Pressbrake Tooling - DB60-3200

60mm x 85mm (W x H) 3200mm Long (Suits die rail type)
 Suits MetalMaster, Amada & European Pressbrakes

On Sale

Ex GST	Inc GST
\$2,090.00	\$2,299.00
\$1,950.00	\$2,145.00



Order Code:	S996A
Model:	DB60-3200
Type:	Die Block
Size (mm):	60 x 85 x 3200



Description

Acute angle multi Vee die block made from chromium-molybdenum high strength steel and heat treated for long term durability.

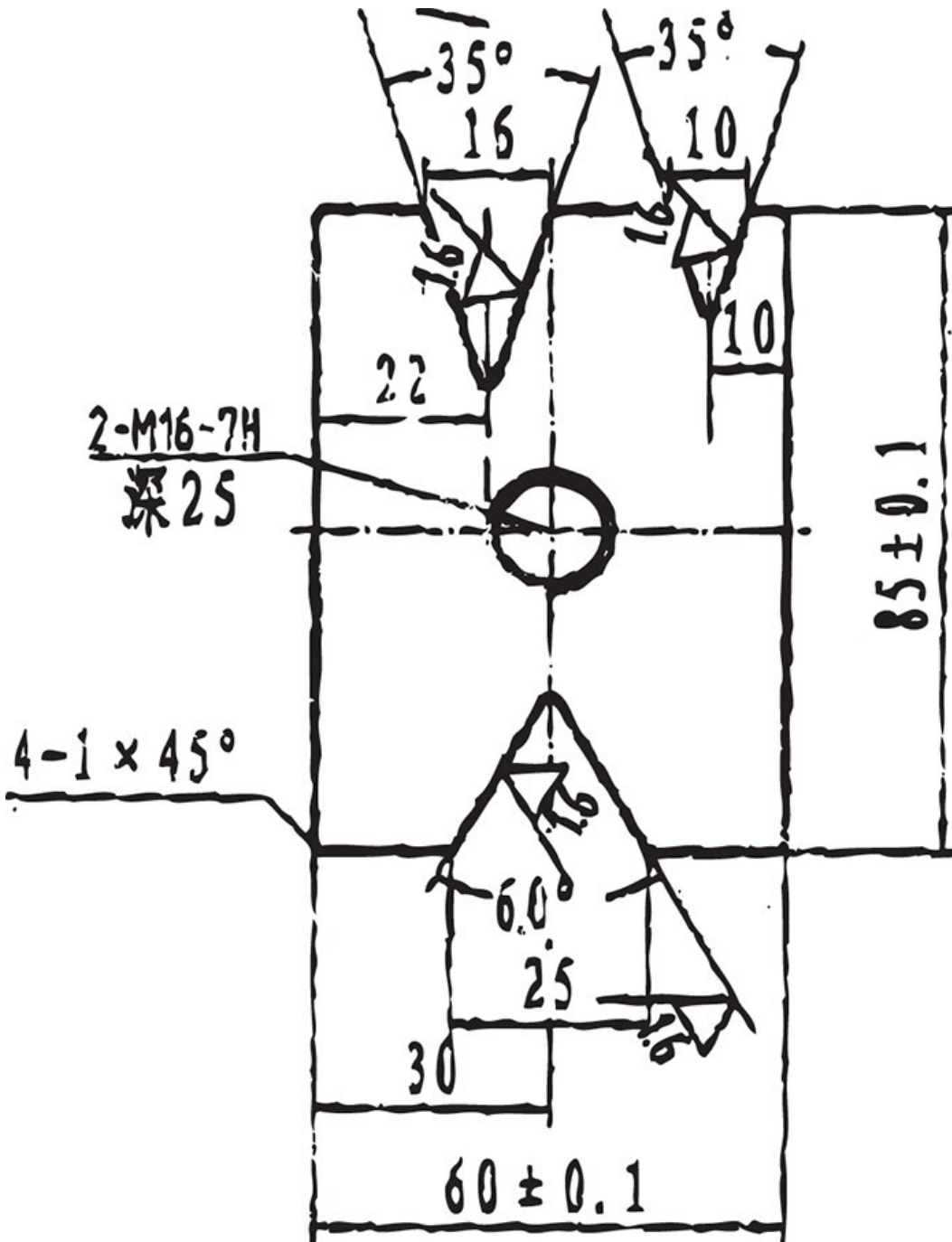
Designed for acute angle bending including catering profiles

Included Vee's -:
 10mm x 35°
 16mm x 35°
 25mm x 60°

Width - 60mm
 Height - 85mm
 Length - 3200mm

Suits S996B Die rail

Product Brochure For S996A



Product Brochure For S996A

Specific Features



Full Length

Recommended Accessories

S996
 15° Top Punch Pressbrake
 Tooling

S996B
 60mm Die Rail Pressbrake
 Tooling

S906GL
 Hydraulic NC Pressbrake

S908GL
 Hydraulic NC Pressbrake

