

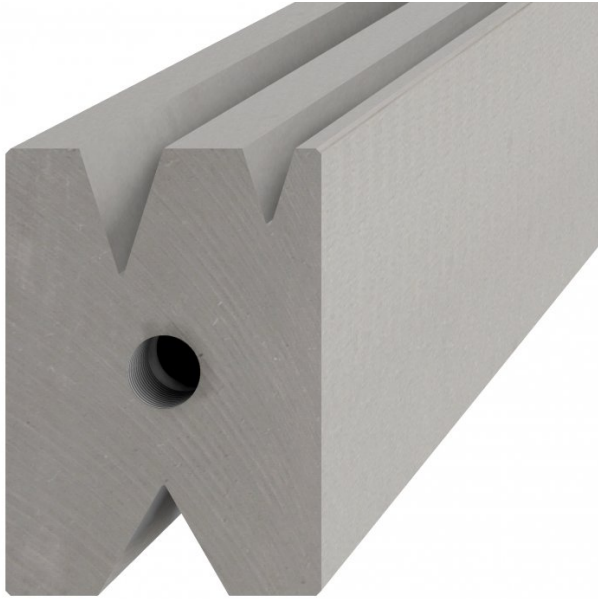
Product Brochure For S997A

60mm Die Block Pressbrake Tooling - DB60-4000

60mm x 85mm (W x H) 4000mm Long (Suits die rail type)
 Suits MetalMaster, Amada & European Pressbrakes

On Sale

Ex GST	Inc GST
\$2,690.00	\$2,959.00
\$2,490.00	\$2,739.00



Order Code:	S977A
Model:	DB60-4000
Type:	Die Block
Size (mm):	60 x 85 x 4000



Description

Acute angle multi Vee die block made from chromium-molybdenum high strength steel and heat treated for long term durability.

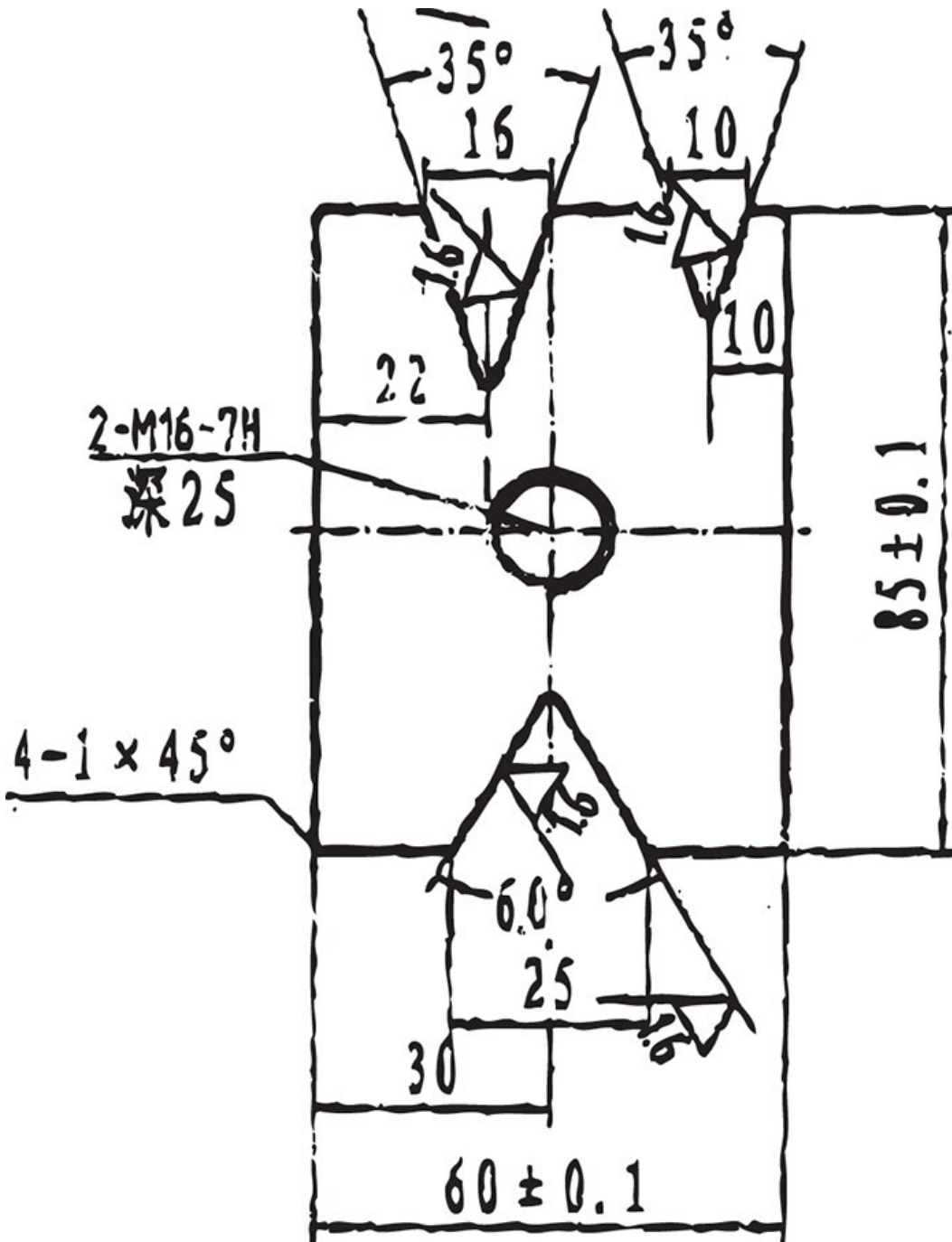
Designed for acute angle bending including catering profiles

Included Vee's -:
 10mm x 35°
 16mm x 35°
 25mm x 60°

Width - 60mm
 Height - 85mm
 Length - 4000mm

Suits S997B Die rail

Product Brochure For S997A



Product Brochure For S997A

Specific Features



Full Length

Recommended Accessories

S996
15° Top Punch Pressbrake
Tooling

S996B
60mm Die Rail Pressbrake
Tooling

S908GL
Hydraulic NC Pressbrake

