

Product Brochure For S9981

1320mm Sheet Metal Guillotine Blade Set - 9CrSi - GB-132.6020

1320 x 60 x 20mm

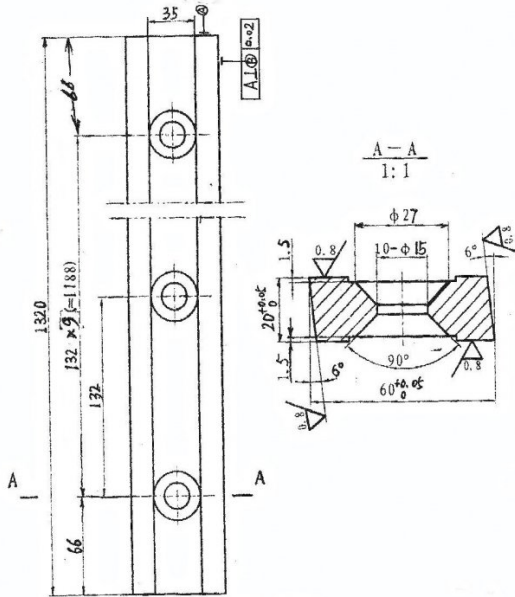
Top & Bottom Blade Set

Ex GST

Inc GST

\$540.00

\$594.00



| | |
|-----------------------------------|----------------|
| ORDER CODE: | S9981 |
| MODEL: | GB-132.6020 |
| Suits Guillotine Cut Length (mm): | 1320 |
| Blade Size (mm): | 1320 x 60 x 20 |
| Blade Material: | 9CrSi |
| Top Blade Set: | 1 Piece |
| Bottom Blade Set: | 1 Piece |

METALMASTER



Description

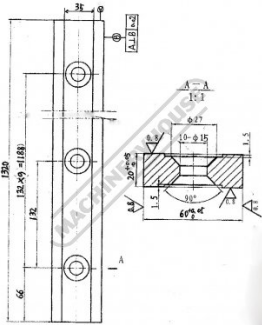
Blades made from 9CrSi material suitable for cutting stainless steel

Includes

- Top & Bottom Blade Set

Product Brochure For S9981

Specific Features



Bottom Blade

Recommended Accessories

S534A
 Manual Treadle Guillotine

S535
 Hydraulic Guillotine

S923
 Hydraulic NC Guillotine

S924A
 Mechanical Guillotine



S534S
 Manual Treadle Guillotine with
 Rear Safety Guard

