

Product Brochure For S9986

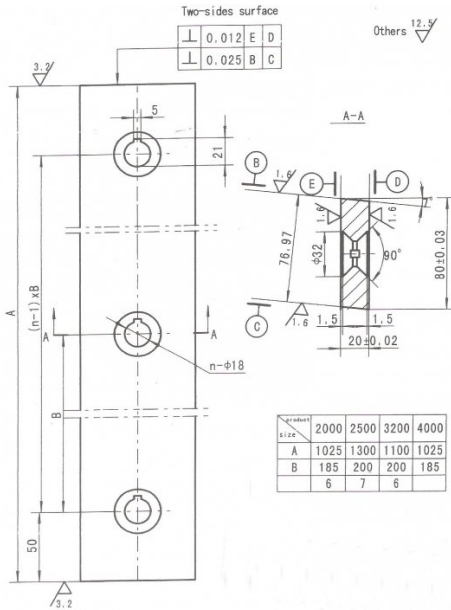
2540mm Sheet Metal Guillotine Blade Set - 6CrW2Si - GB-130.8020

1300 x 80 x 20mm

Top & Bottom Blade Set

Ex GST **Inc GST**
\$2,450.00 **\$2,695.00**

ORDER CODE:	S9986
MODEL:	GB-130.8020
Suits Guillotine Cut Length (mm):	2540
Blade Size (mm):	1300 x 80 x 20
Blade Material:	6CrW2Si
Top Blade Set:	2 Piece
Bottom Blade Set:	2 Piece



Description

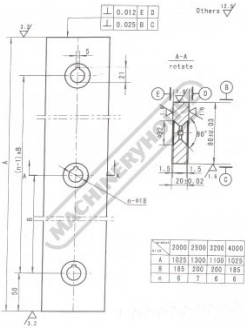
Blades made from 6CrW2Si material suitable for cutting stainless steel

Includes

- Top & Bottom Blade Set

Product Brochure For S9986

Specific Features



Bottom Blade