

Product Brochure For S9988

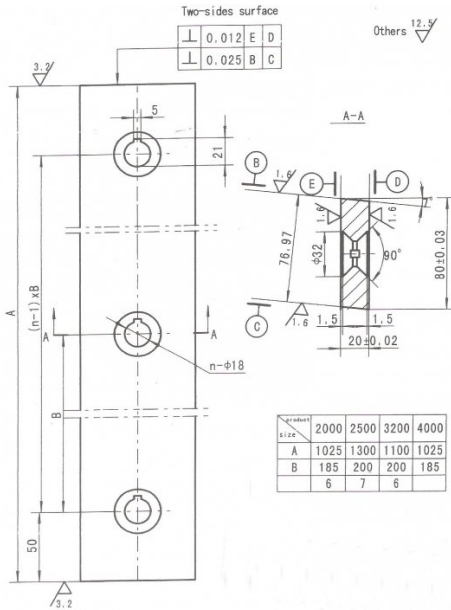
4000mm Sheet Metal Guillotine Blade Set - 6CrW2Si - GB-102.8020

1025 x 80 x 20mm

Top & Bottom Blade Set

Ex GST **Inc GST**
\$3,750.00 **\$4,125.00**

| | |
|-----------------------------------|----------------|
| ORDER CODE: | S9988 |
| MODEL: | GB-102.8020 |
| Suits Guillotine Cut Length (mm): | 4000 |
| Blade Size (mm): | 1025 x 80 x 20 |
| Blade Material: | 6CrW2Si |
| Top Blade Set: | 4 Piece |
| Bottom Blade Set: | 4 Piece |



Description

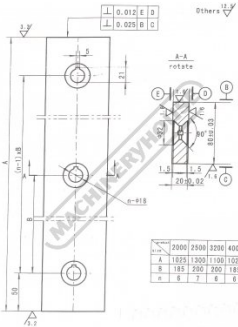
Blades made from 6CrW2Si material suitable for cutting stainless steel

Includes

- Top & Bottom Blade Set

Product Brochure For S9988

Specific Features



Bottom Blade

Recommended Accessories

S962

Hydraulic NC Guillotine -
Variable Rake

S962S

Hydraulic NC Guillotine -
Variable Rake

