

Product Brochure For T002A

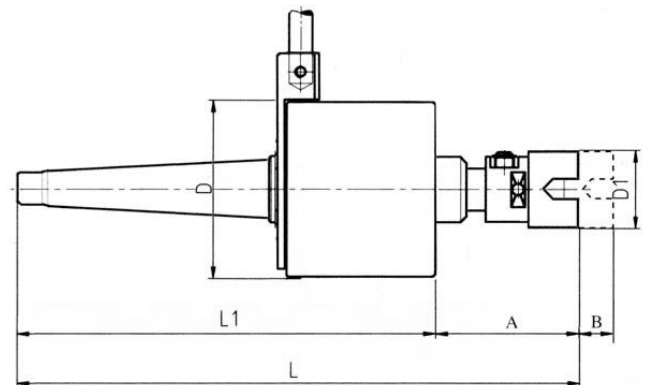
## Reversible Tapping Chuck - K1-MT2

Include 2MT Fixed Arbor

M3 - M6



ORDER CODE:	T002A
MODEL:	K1-MT2
Arbor Mount:	Fixed
Taper (MT):	2
Tapping Range (mm):	3 - 6
Tapping Shank Size (mm):	~
D (mm):	65
D1 (mm):	31
L (mm):	195
L1 (mm):	143
A (mm):	51
B (mm):	11
Nett Weight (kg):	1.2



### Description

Suits drilling and milling machines.  
 Suits all taps M3-M6. Can accept M8 depending on the shank size

### Features

- Special clutch device permits smooth drive and reverse
- Pre-set depth control minimises possibility of tap breakage
- Cushioned drive prevents thread distortion and cross-threading when tapping in two operations
- Cushioned reverse provides smooth and vibration-free transition between forward and reverse drive

Product Brochure For T002A

**Recommended Accessories**

**T012**

Metric Alloy Steel Tap & Die Set  
- 32 Piece



**T013**

Metric HSS Tap & Die Set - 32  
Piece



**T014**

Metric Alloy Steel Tap & Die Set  
- 45 Piece



**T015**

Imperial Alloy Steel Tap & Die  
Set - 45 Piece



**T016**

Metric HSS Tap & Die Set - 45  
Piece

