

Product Brochure For T145

Pull Stud

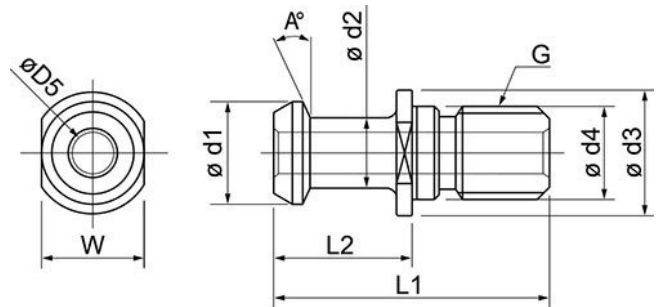
BT-40

On Sale

| Ex GST | Inc GST |
|--------------------|--------------------|
| \$30.00 | \$33.00 |
| \$25.45 | \$28.00 |



| | |
|-------------|-------|
| ORDER CODE: | T145 |
| Type: | BT40 |
| A (deg): | 15° |
| G (mm): | M16 |
| d1 (mm): | 19.0 |
| d2 (mm): | 14.0 |
| d3 (mm): | 23.0 |
| d4 (mm): | 17.0 |
| D5 (mm): | 6.5 |
| L1 (mm): | 54.00 |
| L2 (mm): | 29.00 |
| W (mm): | 19.0 |



Description

Suits Doosan BT-40 Machines
 Through Coolant

Features

- Precision ground through coolant
- NIKKEN-806-1 Specification
- M16 Pull Stud thread