

Product Brochure For T203

## BT40 x ER16-70 Collet Chuck

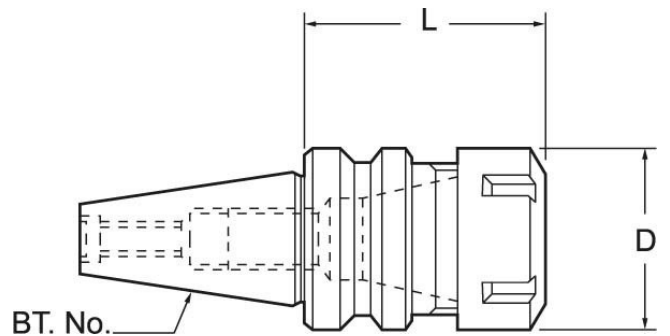
Ø0.5-Ø10mm Range  
 15,000rpm Speed Rating

**On Sale**

Ex GST	Inc GST
<b>\$120.00</b>	<b>\$132.00</b>
<b>\$101.82</b>	<b>\$112.00</b>



ORDER CODE:	T203
MODEL:	BT40 x ER16-70
Speed Rating (rpm):	15,000
Taper (BT):	BT40
Capacity (mm):	0.5 - 10
L (mm):	70
D (mm):	28
Collet Type (ER):	ER16
Nett Weight (kg):	1.3



### Description

All BT collet chucks meet the specifications of machine tool builders (DIN 2080 taper Shank Grade AT-3 - 85% taper contact)

### Features

- Precision ground
- Manufactured to MAS403BT40 standard
- M16 Pull Stud thread
- 70mm extension from the gauge line
- Locking spanner not included

Product Brochure For T203

---

**Recommended Accessories**

C840  
ER16 Collet Chuck Wrench

T142  
Pull Stud

T144  
Pull Stud

T145  
Pull Stud



C116  
Collet Nut ER16

