

Product Brochure For T208

BT40 x ER20-70 Collet Chuck

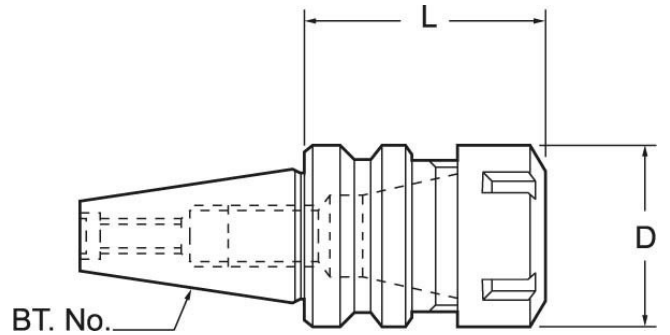
Ø2-Ø13mm Range
 15,000rpm Speed Rating

On Sale

Ex GST	Inc GST
\$120.00	\$132.00
\$101.82	\$112.00



ORDER CODE:	T208
MODEL:	BT40 x ER20-70
Speed Rating (rpm):	15,000
Taper (BT):	BT40
Capacity (mm):	2 - 13
L (mm):	70
D (mm):	34
Collet Type (ER):	ER20
Nett Weight (kg):	1.7



Description

All BT collet chucks meet the specifications of machine tool builders (DIN 2080 taper Shank Grade AT-3 - 85% taper contact)

Features

- Precision ground
- Manufactured to MAS403BNT40
- M16 Pull Stud thread
- 70mm extension from the gauge line
- Locking spanner not included

Product Brochure For T208

Recommended Accessories

C842
ER20 Collet Chuck Wrench



C843
ER20 Collet



C850
ER20 Collet Set - 12 Piece



T142
Pull Stud



T144
Pull Stud



T145
Pull Stud

