

Product Brochure For T215

BT40 x ER25-100 Collet Chuck

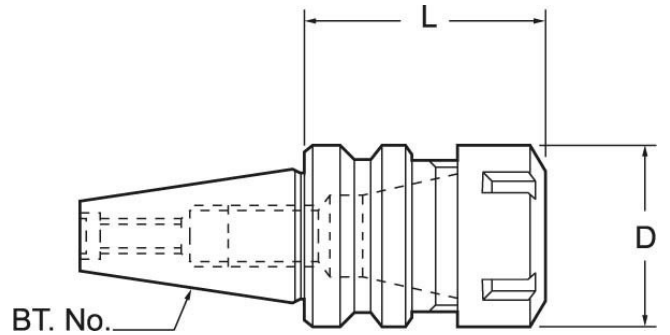
Ø2-Ø16mm Range
 15,000rpm Speed Rating

On Sale

Ex GST	Inc GST
\$140.00	\$154.00
\$118.18	\$130.00



ORDER CODE:	T215
MODEL:	BT40 x ER25-100
Speed Rating (rpm):	15,000
Taper (BT):	BT40
Capacity (mm):	2 - 16
L (mm):	100
D (mm):	42
Collet Type (ER):	ER25
Nett Weight (kg):	1.7



Description

All BT collet chucks meet the specifications of machine tool builders (DIN 2080 taper Shank Grade AT-3 - 85% taper contact)

Features

- Precision ground
- Manufactured to MAS403BT40 standard
- M16 Pull Stud thread
- 100mm extension from the gauge line
- Locking spanner not included

Product Brochure For T215

Recommended Accessories

C861
ER25 Collet Chuck Wrench



C855
ER25 Collet



C860
ER25 Collet Set - 15 Piece



T142
Pull Stud



T144
Pull Stud



T145
Pull Stud

