

Product Brochure For T226

BT40 x ER40-80 Collet Chuck

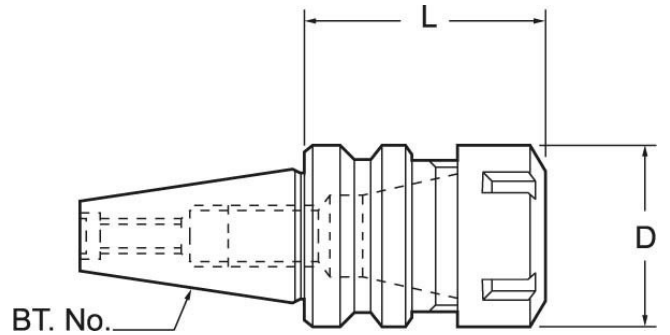
Ø3-Ø26mm Range
 15,000rpm Speed Rating

On Sale

Ex GST	Inc GST
\$150.00	\$165.00
\$127.27	\$140.00



ORDER CODE:	T226
MODEL:	BT40 x ER40-80
Speed Rating (rpm):	15,000
Taper (BT):	BT40
Capacity (mm):	3 - 26
L (mm):	80
D (mm):	63
Collet Type (ER):	ER40
Nett Weight (kg):	1.8



Description

All BT collet chucks meet the specifications of machine tool builders (DIN 2080 taper Shank Grade AT-3 - 85% taper contact)

Features

- Precision ground
- All ER40 collet chucks are fitted with ball bearing nuts
- Manufactured to MAS403BT40 standard
- M16 Pull Stud thread
- 80mm extension from the gauge line
- Locking spanner not included

Product Brochure For T226

Recommended Accessories

C969
 ER40 Collet Chuck Wrench



C934
 ER40 Collet



C957
 ER40 Collet Set - 7 Piece



C967
 Collet & Chuck Set - 25 Piece



T142
 Pull Stud



T144
 Pull Stud



T145
 Pull Stud



C118
 Collet Nut - ER40 Ball Bearing Nut

