

Product Brochure For T448

BT50 x ER32-100 Collet Chuck

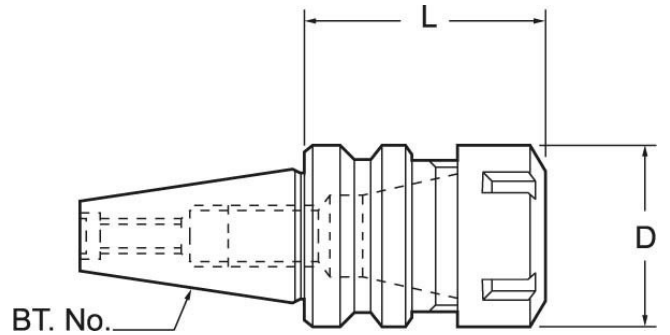
Ø3-Ø20mm Range
 10,000rpm Speed Rating



On Sale

Ex GST	Inc GST
\$230.00	\$253.00
\$195.45	\$215.00

ORDER CODE:	T448
MODEL:	BT50 x ER32-100
Speed Rating (rpm):	10,000
Taper (BT):	BT50
Capacity (mm):	3 - 20
L (mm):	100
D (mm):	50
Collet Type (ER):	ER32
Nett Weight (kg):	5.0



Description

All BT collet chucks meet the specifications of machine tool builders (DIN 2080 taper Shank Grade AT-3 - 85% taper contact)

Features

- Precision ground
- Manufactured to MAS403BT50 standard
- M24 Pull Stud thread
- 100mm extension from the gauge line
- Locking spanner not included

Product Brochure For T448

Specific Features



Front Right View

Side View

Rear View

Recommended Accessories

C932
 ER32 Collet Chuck Wrench

C903
 ER32 Collet

C921
 ER32 Collet Set - 6 Piece

C922
 ER32 Collet Set - 18 Piece



T445
 Pull Stud

C117
 Collet Nut ER32

