

Product Brochure For T767

## 6 Drawer - Industrial Tooling Cabinet - TC-800

723 x 653 x 800mm  
 100kg per Drawer

**On Sale**

Ex GST

Inc GST

~~\$800.00~~

~~\$880.00~~

**\$720.00**

**\$792.00**



ORDER CODE:	T767
MODEL:	TC-800
Number of Drawers (No.):	6
Drawer Load Capacity (kg):	100
Maximum Total Load Capacity (kg):	600
Includes Backing Panel:	~
Dimensions (W x D x H) (mm):	723 x 653 x 800
Nett Weight (kg):	102



### Features

- Heavy duty tooling cabinets, ideal for industrial applications and serious workshops
- The sliding drawers are a welded strengthened single rail design coupled with high quality mechanical bearings for long lasting smooth operation
- Each drawer is rated at 100kg load capacity with 97% drawer access and a total of 600kg maximum load capacity
- Single Key lock design for safe storage. Each drawer has a mechanical safety lock which allows one drawer to be opened at a time, preventing the cabinet to tip over
- All top drawers include a series of different size plastic boxes for those small items, all other drawers come with adjustable steel dividers
- The optional steel frame backing panel with rubber protective base cover is great to rest tooling and precious parts on top of the cabinet

### Includes

- Top Drawer - 75mm high with moveable plastic division boxes
- Drawer 2 - 75mm high with moveable steel dividers 4x3 layout
- Drawer 3 & 4 - 100mm high with moveable steel dividers 4x3 layout
- Drawer 5 - 150mm high with moveable steel dividers 4x3 layout
- Drawer 6 - 200mm high with moveable steel dividers 4x3 layout

Product Brochure For T767

**Specific Features**



Top Drawer with Plastic Buckets



Drawers with Steel Dividers



Plastic Bucket Drawers



Heavy Duty Drawers



Drawer Locking Mechanism



Drawer Lock Bracket



Drawer in Lock Position



Drawer in Unlock Position



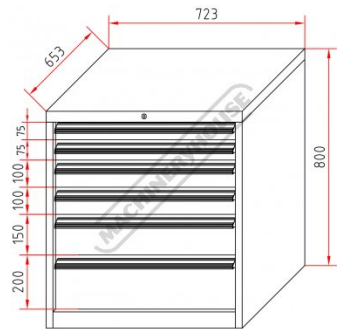
Heavy Duty Drawer Slides



Drawers with Safety Lock



Drawer Ball Bearing Arms



Diagram

Product Brochure For T767

**Recommended Accessories**

**T768**

6 Drawer - Industrial Mobile Tooling Cabinet



**K068**

6 Drawer - Industrial Mobile Tooling Cabinet with Backing Panel Package Deal



**T783**

Steel Frame Backing Panel



**T779**

Handle



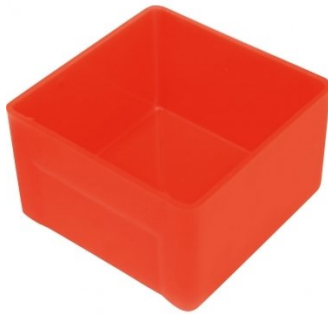
**T776**

Wheel Kit - Ø125mm



**A427**

Plastic Bucket



**A428**

Plastic Bucket



**A429**

Plastic Bucket



Product Brochure For T767

**T784**  
Steel Divider

**T784A**  
Slotted Rail

**T786**  
Steel Divider

**T786A**  
Slotted Rail



**T787**  
Steel Divider

**T787A**  
Slotted Rail

**T788**  
Steel Divider

**T788A**  
Slotted Rail



**T703**  
Magnetic Spray Can &  
Screwdriver Holder

**H820**  
Metric Hex Key Set with T-Bar  
Handle

**H821**  
Imperial Hex Key Set with T-Bar  
Handle

**H822**  
Torx® Key Set with T-Bar  
Handle



Product Brochure For T767

D1272

Metric 135° Precision HSS Drill Set - 25 Piece



D1282

Imperial 135° Precision HSS Drill Set - 29 Piece



D1285

Metric 135° Precision HSS Drill Set - 51 Piece



D1071

HSS Sheet Metal Step Drill Set - 3 Piece



D1051

HSS Countersink Set (90° Cross Hole Type) - 4 Piece



D1061

HSS Countersink Set (90° 3 Flute Type) - 6 Piece



D508

HSS Industrial Centre Drill Set - 5Pcs



D070

Drill Sharpener



H880

Dead Blow, Nylon Face Hammer



H870

Soft Face Hammer



H875

Soft Face Hammer - 5 piece



H885

Auto Panel Restoration Kit - DIY



Product Brochure For T767

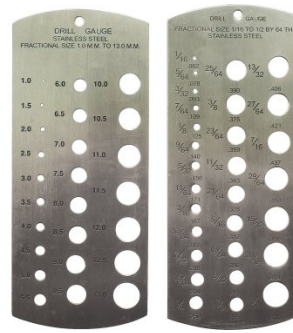
**H886**  
 Auto Panel Restoration Kit - Professional



**H887**  
 Auto Panel Restoration Kit - Master



**M988**  
 Metric & Imperial Drill Gauge



**Q616**  
 Feeler Gauge Set



**T012**  
 Metric Alloy Steel Tap & Die Set - 32 Piece



**T013**  
 Metric HSS Tap & Die Set - 32 Piece



**T014**  
 Metric Alloy Steel Tap & Die Set - 45 Piece



**T015**  
 Imperial Alloy Steel Tap & Die Set - 45 Piece



**T016**  
 Metric HSS Tap & Die Set - 45 Piece



**T870**  
 Screw Extractor Set - 10 piece



**T119**  
 Metric Thread Restorer File



**T120**  
 Imperial Thread Restorer File



Product Brochure For T767

**T100**  
 Metric Thread Repair Kit - 130 Piece



**T116**  
 Imperial Thread Restorer Tap & Die Kit - 26 Piece Set



**T115**  
 Metric Thread Restorer Tap & Die Kit - 15 Piece



**T117**  
 Metric, UNC, UNF Thread Restorer Tap & Die Kit - 48 Piece



**D108**  
 Metric Carbide Tipped Hole Saw Set



**D102**  
 Metric HSS Hole Saw Set



**F100**  
 Engineers Files, 5 Piece Set - Second Cut



**F120**  
 Engineers File, Flat - Coarse Cut



**F121**  
 Engineers File, Flat - Second Cut



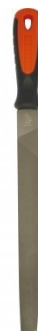
**F122**  
 Engineers File, Flat - Smooth Cut



**F124**  
 Engineers File, Half Round - Coarse Cut



**F125**  
 Engineers File, Half Round - Second Cut



Product Brochure For T767

F126

Engineers File, Half Round - Smooth Cut



F127

Engineers File, Round - Coarse Cut



F128

Engineers File, Round - Second Cut



F129

Engineers File, Round - Smooth Cut



F160

Slapping File - Second Cut



F150

Flexible Body File Holder



F155

Flexible Body File



F156

Flexible Body File



P112

Hole Punch Set



S203

180° Straight Edge/Seaming Plier



S205

90° Edge/Seaming Plier



S200

Joggler & Punch Plier



Product Brochure For T767

**P368**  
 Automatic Centre Punch



**P367**  
 Centre Punch Set - 3 Piece



**P365**  
 Pin Punch Set - 6 Piece



**P363**  
 Cold Chisel Set - 3 Piece



**P364**  
 Punch & Cold Chisel Set - 14 Piece



**N001**  
 Nut & Blind Riveter Set - 130 Piece



**P350**  
 Letter Punches



**P351**  
 Number Punches



**P354**  
 Letter Punches



**P355**  
 Number Punches



**W103**  
 Engineers Chalk Marker- 50 Splits



**W104D**  
 White Liquid Paint Marker - Valve Action



Product Brochure For T767

**W104B**  
 Silver Streak - Welders Pencil



**W104A**  
 Orange Trades Marker Refills - All Purpose



**W104**  
 Trades Marker - All Purpose



**W104G**  
 Silver Streak Refills - Round Metal Marker



**W104C**  
 Silver Streak - Round Metal Marker



**D063**  
 Sheet Metal Deburring Tool



**D060**  
 Deburring Tool - Telescopic Shaft



**D065**  
 Universal Deburring Tool Set - 23 Piece



**D068**  
 Pipe/Tube Deburring Tool - Internal / External



**B900**  
 Carbide Burr Double Cut Set - Short Series



**B905**  
 Carbide Burr Double Cut Set - Long Series



**M0010**  
 Pick Up Tool with Magnetic Head & 1 x LED Light



Product Brochure For T767

**M0009**  
 Magnetic Pick Up Tool & Inspection Mirror Set



**L300**  
 Magnetic Swarf Remover



**P020**  
 Hydraulic Chassis Punch Set



**W112**  
 Micro Welding Steel Clamp Set



**W113**  
 Butt Welding Aluminium & Steel Clamp Set



**S077**  
 Drilling, Tapping & Cutting Tool Lubricant Spray - 400g



**S075**  
 Cutting Tool Lubricant Paste - 200g



**O043**  
 Rust & Corrosion Preventive



**O042**  
 General Purpose Lubricant & Corrosion Inhibitor



**O040**  
 Rust & Corrosion Preventive



**O044**  
 Rust & Corrosion Preventive



**P030**  
 Bush Driver Set - 17 piece



Product Brochure For T767

**P031**  
 Bearing Race & Seal Driver Set  
 - 10 piece



**P005**  
 Ratcheting Gear Puller Set



**P013**  
 Puller Set with Slide Hammer



**P011**  
 Hydraulic Gear Puller Kit



**A037**  
 Air Tool Oil



**G076**  
 Top Up Pump



**G077**  
 Oil Transfer Pump



**G065**  
 Suction Gun - Oil Transfer



**G070**  
 Grease Gun



**G072**  
 Grease Gun



**G063**  
 Grease Gun



**G074**  
 Air Operated Grease Gun



Product Brochure For T767

G066

Air Operated Power Pistol -  
Grease Gun



G060

Grease Gun



G067

Lithium-ion Battery Operated -  
Grease Gun



G057

Super Blue Complex Grease  
Cartridge



O002

Superdraulic ISO 46 Hi Temp  
Hydraulic Oil

