

Product Brochure For V125

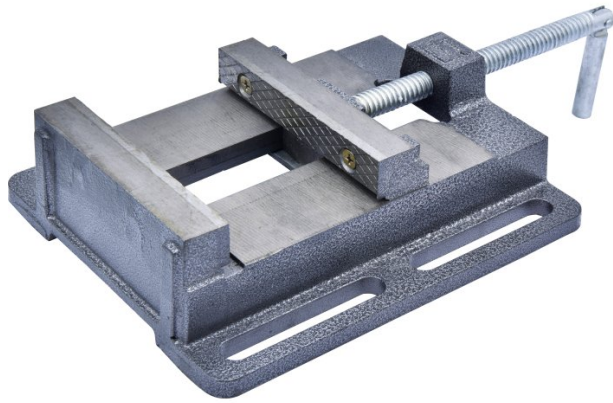
## Drill Press Vice - Standard

127mm Jaw Width  
 125mm Jaw Opening

**On Sale**

**Ex GST**  
~~\$40.00~~  
**\$35.45**

**Inc GST**  
~~\$44.00~~  
**\$39.00**



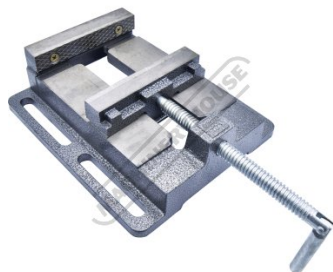
ORDER CODE:	V125
MODEL:	~
Type:	Drill Vice
Jaw Width (mm):	127
Jaw Opening (mm):	125
Jaw Depth (mm):	23
Nett Weight (kg):	5



### Description

Manufactured from close grain cast iron.

### Specific Features



Rear View

Product Brochure For V125

---

**Recommended Accessories**

V0531

Aluminium Magnetic Soft Jaws

V0538

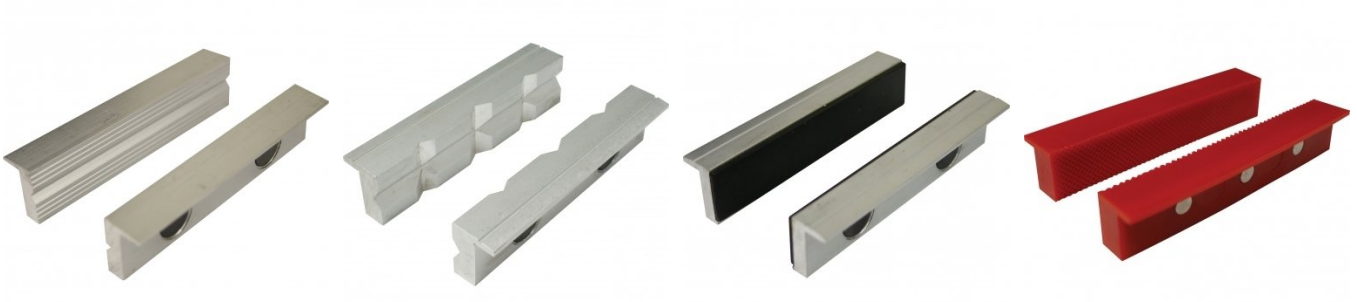
Aluminium Magnetic Soft Jaws

V0535

Aluminium Magnetic Soft Jaws

V0542

Plastic Magnetic Soft Jaws



V0546

Plastic Magnetic Soft Jaws

