

## Product Brochure For V154

### Drill Press Vice - HF-100

100mm Jaw Width

100mm Jaw Opening



ORDER CODE:	V154
MODEL:	HF-100
Type:	Heavy Duty Drill Vice
Jaw Width (mm):	100
Jaw Opening (mm):	100
Jaw Depth (mm):	~
Nett Weight (kg):	8.7



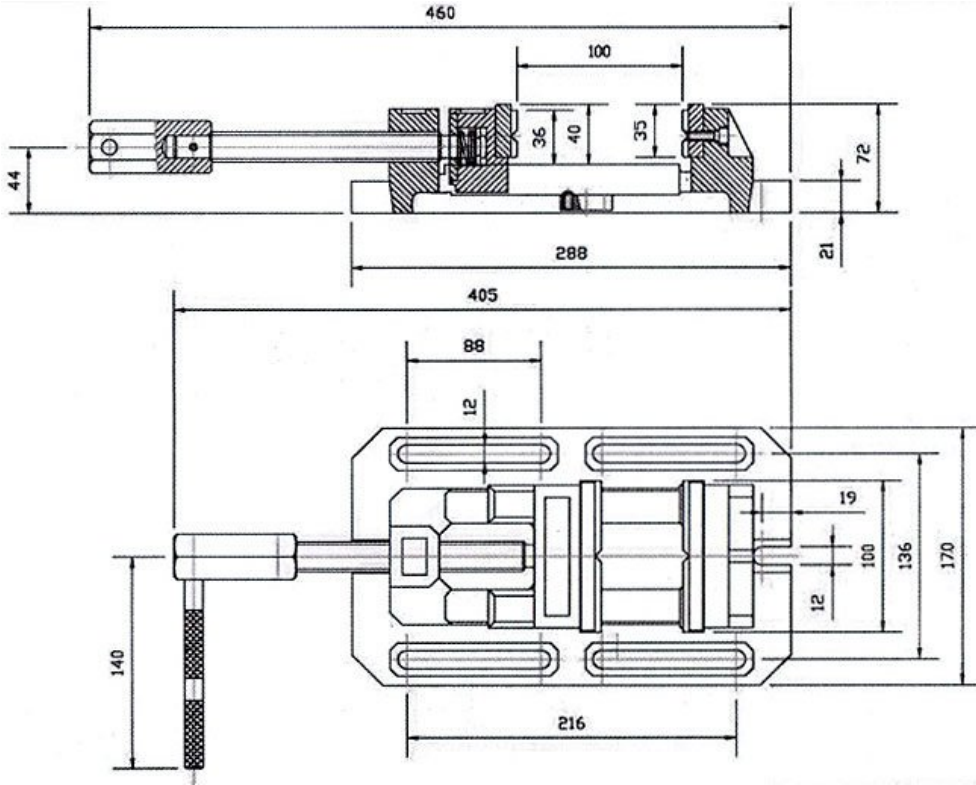
#### Description

Heavy duty drill vice

#### Features

- Hardened Prismatic Jaws

Product Brochure For V154



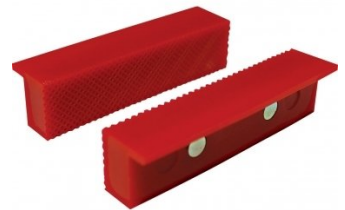
**Recommended Accessories**

V053  
 Aluminium Magnetic Soft Jaws

V0537  
 Aluminium Magnetic Soft Jaws

V0534  
 Aluminium Magnetic Soft Jaws

V054  
 Plastic Magnetic Soft Jaws



Product Brochure For V154

---

V0544

Plastic Magnetic Soft Jaws

