

Product Brochure For V155

Drill Press Vice - HF-140

140mm Jaw Width
 140mm Jaw Opening

ORDER CODE:	V155
MODEL:	HF-140
Type:	Heavy Duty Drill Vice
Jaw Width (mm):	140
Jaw Opening (mm):	140
Jaw Depth (mm):	~
Nett Weight (kg):	18

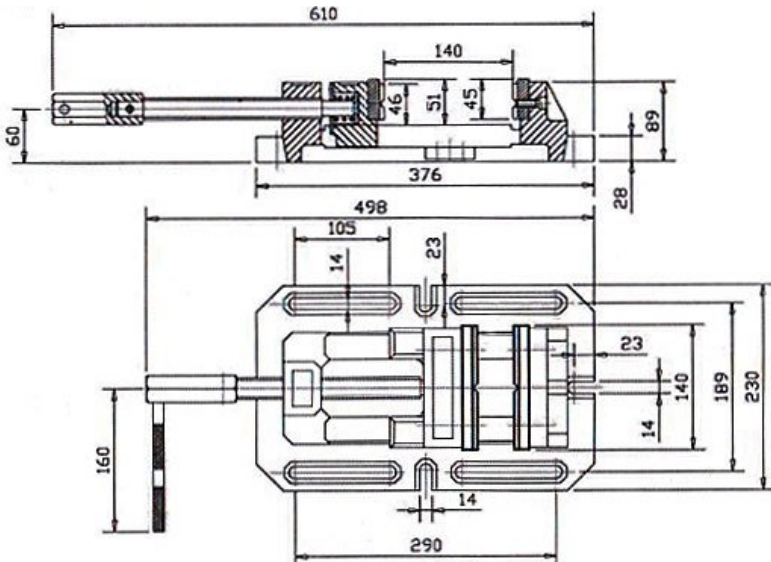


Description

Heavy duty drill vice

Features

- Hardened Prismatic Jaws



Product Brochure For V155

Recommended Accessories

V0532

Aluminium Magnetic Soft Jaws

V0539

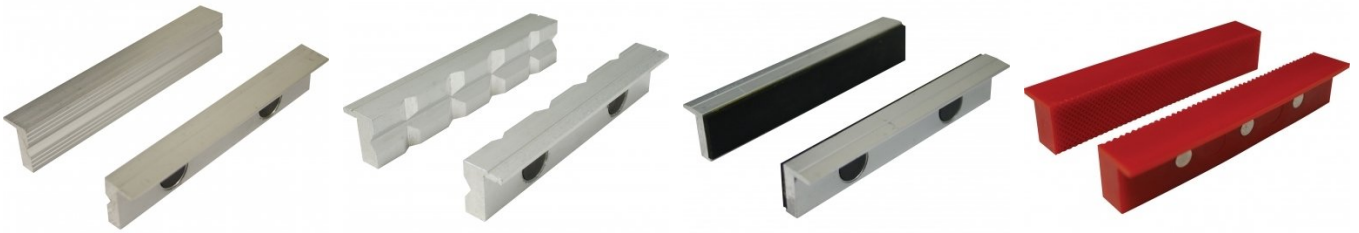
Aluminium Magnetic Soft Jaws

V0536

Aluminium Magnetic Soft Jaws

V0542

Plastic Magnetic Soft Jaws



V0546

Plastic Magnetic Soft Jaws

