

Product Brochure For V3112

Modular Vice Jaws

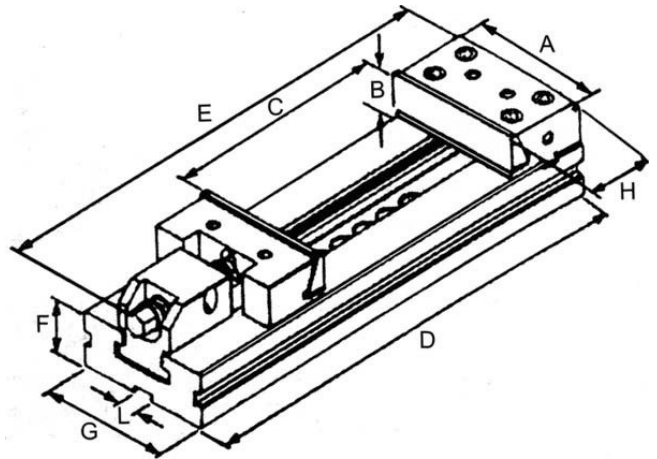
152mm Jaw Width



On Sale

Ex GST	Inc GST
\$350.00	\$385.00
\$300.00	\$330.00

ORDER CODE:	V3112
A - Jaw Width (mm):	152
C - Jaw Opening (mm):	~
B - Jaw Height (mm):	50
D (mm):	~
E (mm):	~
F (mm):	~
G (mm):	~
H (mm):	~
Nett Weight (kg):	3



Description

Toolmaster vices are manufactured under rigid quality control. All Toolmaster vices are interchangeable and can be used as matched pairs.

Features

- Hardened and ground steel to HRC60, with high precision
- Keyways are 16mm H7 and are toleranced giving perfect alignment and reducing set up time
- Space saving design allows for maximum use of clamping area