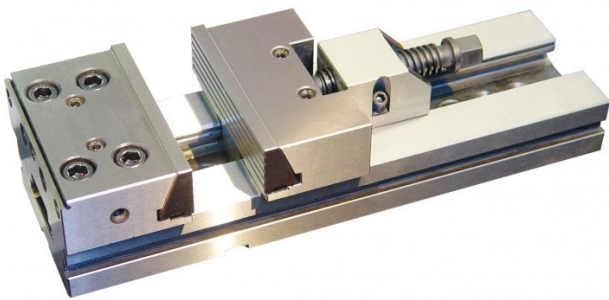


Product Brochure For V312

## Modular Machine Vice

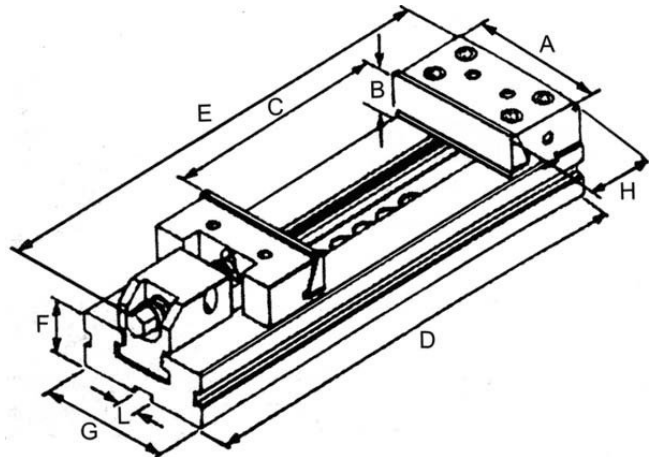
203mm Jaw Width  
 300mm Jaw Opening



**On Sale - Back In Stock Soon**

Ex GST	Inc GST
\$1,950.00	\$2,145.00
\$1,790.00	\$1,969.00

ORDER CODE:	V312
A - Jaw Width (mm):	203
C - Jaw Opening (mm):	300
B - Jaw Height (mm):	65
D (mm):	595
E (mm):	710
F (mm):	70
G (mm):	170
H (mm):	114
Nett Weight (kg):	70



### Description

Toolmaster vices are manufactured under rigid quality control. All Toolmaster vices are interchangeable and can be used as matched pairs.

### Features

- Hardened and ground steel to HRC60, with high precision
- Keyways are 16mm H7 and are toleranced giving perfect alignment and reducing set up time
- Space saving design allows for maximum use of clamping area

Product Brochure For V312

---

**Recommended Accessories**

V3122

Modular Vice Jaws

