

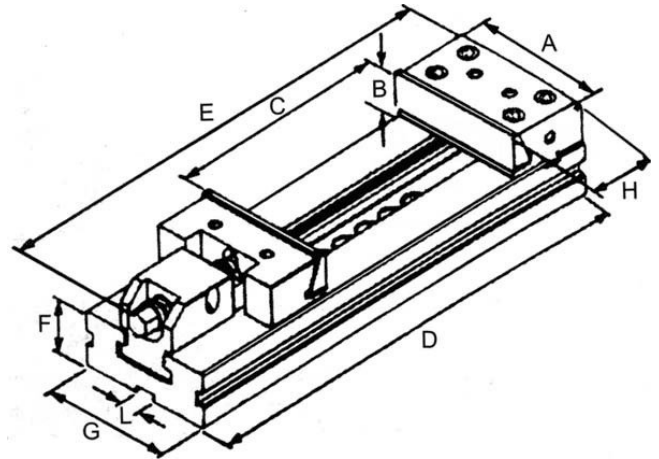
Product Brochure For V3122

Modular Vice Jaws

203mm Jaw Width

Ex GST Inc GST
\$290.00 \$319.00

ORDER CODE:	V3122
A - Jaw Width (mm):	203
C - Jaw Opening (mm):	~
B - Jaw Height (mm):	65
D (mm):	~
E (mm):	~
F (mm):	~
G (mm):	~
H (mm):	~
Nett Weight (kg):	3.5



Description

Toolmaster vices are manufactured under rigid quality control. All Toolmaster vices are interchangeable and can be used as matched pairs.

Features

- Hardened and ground steel to HRC60, with high precision
- Keyways are 16mm H7 and are toleranced giving perfect alignment and reducing set up time
- Space saving design allows for maximum use of clamping area