

Product Brochure For V3209

Safeway Vee Hardened Jaw - 200mm - CJ-200

#07888056

Ex GST
\$380.00

Inc GST
\$418.00



ORDER CODE:	V3209
MODEL:	CJ-200
Type:	Vee Jaw - Single
A (mm):	120
B (mm):	200
C (mm):	28
D (mm):	63
E (mm):	36
F (mm):	70
G (mm):	12
H (mm):	30
J (mm):	~
K (mm):	~
L (mm):	M12 x 16 Long
M (mm):	~
N (mm):	~
Nett Weight (kg):	3

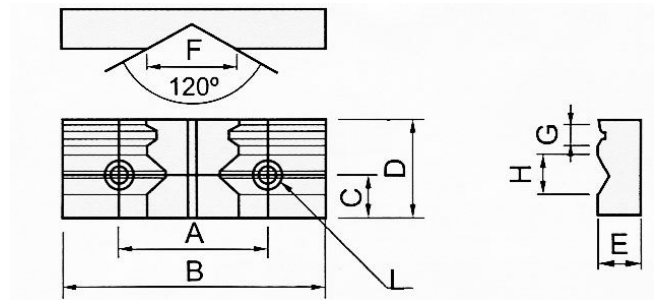


Description

Hardened jaws suitable for clamping work pieces were the finished surface is smooth and needs to be protected.

Features

- Hardened Jaws to HRC55°-58°
- Holds round work piece 50 -140mm



Product Brochure For V3209

Specific Features



Top View

Recommended Accessories

V323

Safeway Compact Hydraulic
Vice

V343

Safeway Pneumatic Production
Vice

